

Tool Balancers - 0.4 to 8Kg capacity

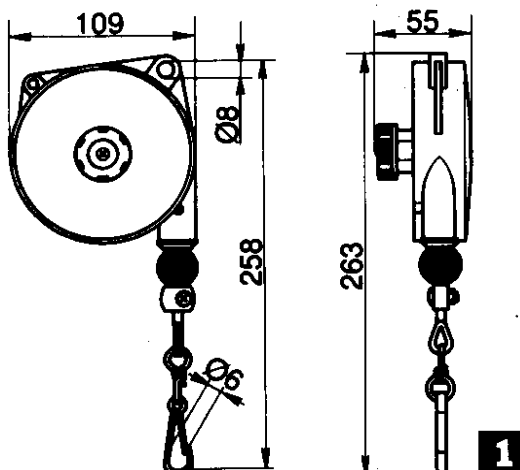
**Capacity 0.4Kg - 3.0Kg
Stroke 1600mm**



Features:

- ◆ Simple rugged construction.
- ◆ Cast aluminium body.
- ◆ Adjustable capacity.
- ◆ Bushes - Self lubricating.
- ◆ Adjustable stroke limiting device.
- ◆ Rotary hook.
- ◆ Auxiliary safety cable.
- ◆ Stainless steel cable.
- ◆ Anti - friction cable guide.

Type No.	Capacity Kg.	Weight Kg.	Dim. Drg.
9311	0.4 - 1	0.6	1
9312	1 - 2	0.6	1
9313	2 - 3	0.6	1



1

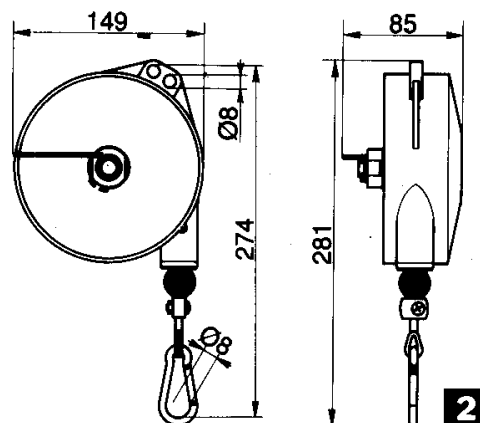
**Capacity 1.0Kg - 8.0Kg
Stroke 2000mm**



Features:

- ◆ Safety device prevents the load from dropping in the event of spring failure . (Except 9320)
- ◆ Rugged construction, cast aluminium body.
- ◆ Adjustable capacity.
- ◆ Bushes - Self lubricating.
- ◆ Adjustable stroke limiting device.
- ◆ Rotary hook.
- ◆ Auxiliary safety cable.
- ◆ Stainless steel cable.
- ◆ Anti - friction cable guide.

Type No.	Capacity Kg.	Weight Kg.	Dim. Drg.
9320	1 - 2.5	2	2
9321	2 - 4	2	2
9322	4 - 6	2.5	2
9323	6 - 8	2.5	2



2