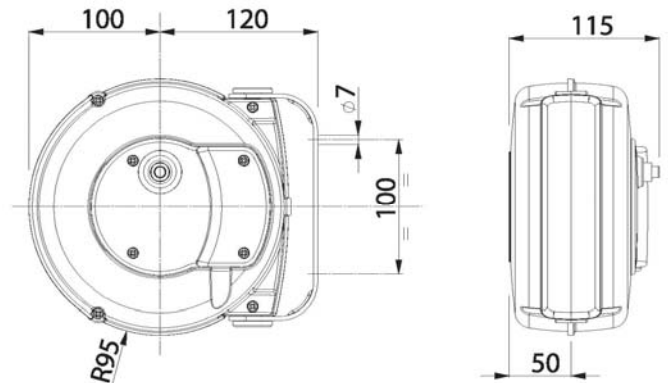




Series 9000 Mini Reels



| | |
|--|--------------------------|
|  | 100 |
|  | mm 240x195x120 Kg 3,0 |

Manufactured according to standard:
 Construit selon norme:
 EN 61242 EN 60335-1

These products comply with Directives:
 Produits conformes aux Directives:
 2006/95/CE 2006/42/CE 2002/95/CE

The series 9000 Mini Reel features a shock resistant plastic external case and a ratchet stop device every 50cm which can be easily removed if constant traction of cable is required. The reels also have the following features as standard :

- IP42 Protection
- Brass Sliprings and Brushes
- Max Voltage 230V
- H05VV-F Cables
- Working temp. - 5 / + 40 deg C

| Ref | Cable size | Cable Payout | Max power (20 deg C) | |
|-------------|-------------------------|--------------|---|-----------|
| | | | cable coiled | uncoiled |
| 9001 | 2c x 1.0mm ² | 7 + 1m | 1100 Watt | 1600 Watt |
| 9002 | 2c x 1.5mm ² | 5 + 1m | 1300 Watt | 1800 Watt |
| 9003 | 3c x 1.0mm ² | 6 + 1m | 1100 Watt | 1600 Watt |
| 9004 | 3c x 1,5mm ² | 5 + 1m | 1400 Watt | 1900 Watt |
| 9006 | 1c x 6.0mm ² | 6 + 1m | Cable green / yellow without thermal protection suitable for earthing | |

Cable payout indicates actual payout + length of cable permanently outside the drum