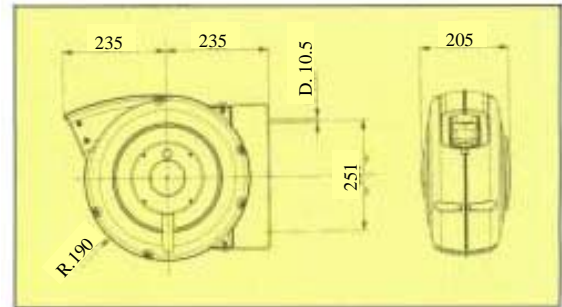
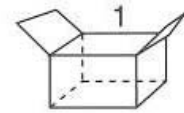


## Series 7000 Reels



30



**Kg 9**

**mm 430x400x120**

| Ref             | Cable size               | Cable Payout | Cable Dia. |                  | Max power (20 deg C)                          |                  | Slip Ring size | Max Voltage    | Cable type |                |
|-----------------|--------------------------|--------------|------------|------------------|---|------------------|----------------|----------------|------------|----------------|
|                 |                          |              |            |                  | cable coiled                                  | uncoiled         |                |                |            |                |
| <b>7116</b>     | 1c x 16.0mm <sup>2</sup> | 20 + 2m      | 8mm        |                  | No thermal protection - suitable for earthing |                  | 10 Amp         | -              | H05V-F     |                |
| <b>7215</b>     | 2c x 1.5mm <sup>2</sup>  | 25 + 2m      | 7.5mm      | <b>230 Volts</b> | 1100 Watt                                     | <b>230 Volts</b> | 1800 Watt      | 10 Amp         | 500 V      | H05VV-F        |
| <b>7315</b>     | 3c x 1.5mm <sup>2</sup>  | 25 + 2m      | 8.5mm      |                  | 1100 Watt                                     |                  | 1800 Watt      | 10 Amp         | 500 V      | H05VV-F        |
| <b>7315 RNF</b> | 3c x 1.5mm <sup>2</sup>  | 20 + 2m      | 10mm       |                  | 1100 Watt                                     |                  | 1800 Watt      | 10 Amp         | 750 V      | <b>H07RN-F</b> |
| <b>7325</b>     | 3c x 2.5mm <sup>2</sup>  | 20 + 2m      | 10mm       |                  | 2000 Watt                                     |                  | 3000 Watt      | 10 Amp         | 500 V      | H05VV-F        |
| <b>7325 RNF</b> | 3c x 2.5mm <sup>2</sup>  | 17 + 2m      | 12mm       | 2000 Watt        | 3000 Watt                                     | 10 Amp           | 750 V          | <b>H07RN-F</b> |            |                |
| <b>7415</b>     | 4c x 1.5mm <sup>2</sup>  | 25 + 2m      | 9.5mm      | <b>400 Volts</b> | 1100 Watt                                     | <b>400 Volts</b> | 1800 Watt      | 10 Amp         | 500 V      | H05VV-F        |
| <b>7415 RNF</b> | 4c x 1.5mm <sup>2</sup>  | 16 + 2m      | 11mm       |                  | 1100 Watt                                     |                  | 1800 Watt      | 10 Amp         | 750 V      | <b>H07RN-F</b> |
| <b>7425</b>     | 4c x 2.5mm <sup>2</sup>  | 18 + 2m      | 11mm       |                  | 2000 Watt                                     |                  | 3000 Watt      | 10 Amp         | 500 V      | H05VV-F        |
| <b>7425 RNF</b> | 4c x 2.5mm <sup>2</sup>  | 13 + 2m      | 13mm       |                  | 2000 Watt                                     |                  | 3000 Watt      | 10 Amp         | 750 V      | <b>H07RN-F</b> |
| <b>7515</b>     | 5c x 1.5mm <sup>2</sup>  | 20 + 2m      | 10.5mm     | <b>Volts</b>     | 1500 Watt                                     | <b>Volts</b>     | 2200 Watt      | 10 Amp         | 500 V      | H05VV-F        |
| <b>7515 RNF</b> | 5c x 1.5mm <sup>2</sup>  | 15 + 2m      | 12mm       |                  | 1500 Watt                                     |                  | 2200 Watt      | 10 Amp         | 750 V      | <b>H07RN-F</b> |
| <b>7525</b>     | 5c x 2.5mm <sup>2</sup>  | 15 + 2m      | 12.5mm     |                  | 2000 Watt                                     |                  | 3000 Watt      | 10 Amp         | 500 V      | H05VV-F        |
| <b>7525 RNF</b> | 5c x 2.5mm <sup>2</sup>  | 10 + 2m      | 14mm       |                  | 2000 Watt                                     |                  | 3000 Watt      | 10 Amp         | 750 V      | <b>H07RN-F</b> |

Series 7000 Cable Reels have an external case manufactured from shock resistant plastic and are suitable for applications both with cable manually controlled and fitted on machines with automatic cable retraction. This range of drums features a ratchet stop every 50cm which can be easily disconnected if constant traction of cable is required.

Standard options include :-

949/PR - Fixed mounting bracket, ie removing the possibility of pivoting, this is essential for ceiling or floor mounting for vertical payout applications