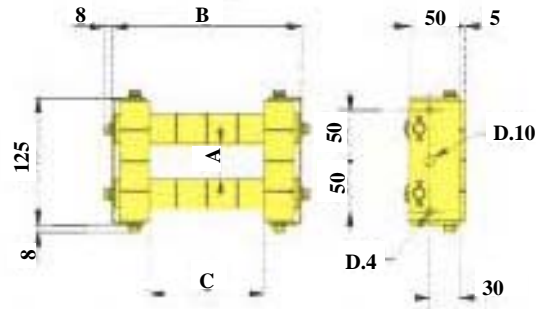


Cable Roller Guides

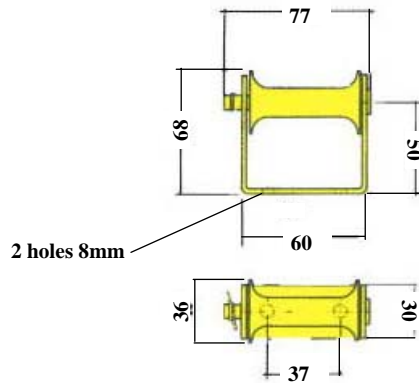
951 / 954 / 955 Roller Guide



	A	B	C
951		125	55
954	15-25-35-45-55	185	115
955		215	145

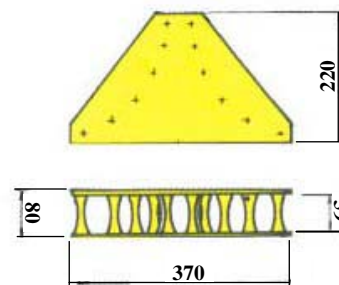
Cable guide from galvanised sheet steel with nylon rollers. Rollers are adjustable to cater for different cable diameters.

932 Cable guide roller



Cable guide from shock resistant plastic with galvanised steel bracket. Useful for reducing cable friction on supporting surface.

945 Cable guide roller set



Cable guide set from sheet steel with rollers from shock resistant plastic allowing cable payout in two directions without excessive bending in the cable.
