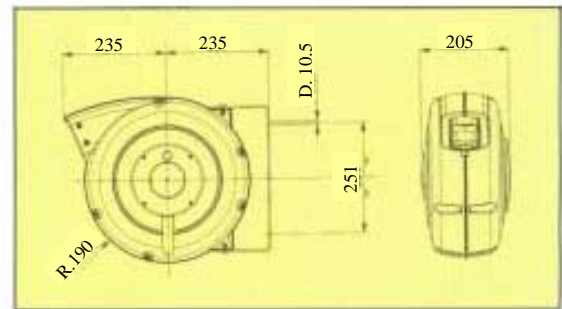
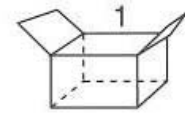


Series 805 Hose Reels



30



Kg 7
mm 430x400x220

Ref	Hose Dia.	Hose Payout	Max Pressure	Drum Colour	Temp range	Hose end fitting	Incoming hose length	Use for	
								Air	Cold water
805/8	8mm (5/16")	15 + 1m	15 bar	Yellow	-5 / +40 deg C	1/4" M	1.5m	Yes	Yes
805/10	10mm (3/8")	15 + 1m	15 bar	Yellow	-5 / +40 deg C	3/8" M	1.5m	Yes	Yes
805/8/S	8mm (5/16")	15 + 1m	15 bar	Grey	-5 / +40 deg C	1/4" M	1.5m	Yes	Yes
805/10/S	10mm (3/8")	15 + 1m	15 bar	Grey	-5 / +40 deg C	3/8" M	1.5m	Yes	Yes

Series 805 Hose Reels have an external case manufactured from shock resistant plastic and fitted with glossy polyurathene hose. This range of drums comes complete with pivot mounting bracket as standard and features a ratchet stop every 50cm which can be easily disconnected if constant traction of hose is required. This range of drums is particularly recommended for manual payout applications.

Standard options include :-

949/805 - Fixed mounting bracket, ie removing the possibility of pivoting, this is essential for ceiling or floor mounting for vertical payout applications