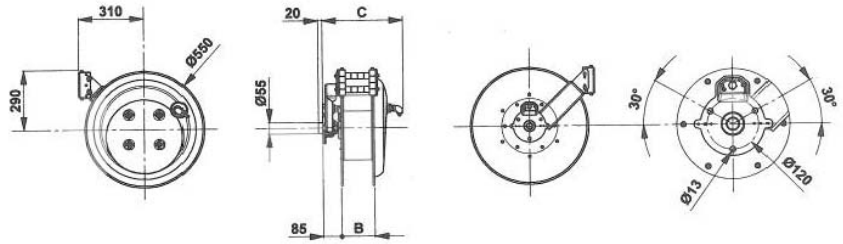


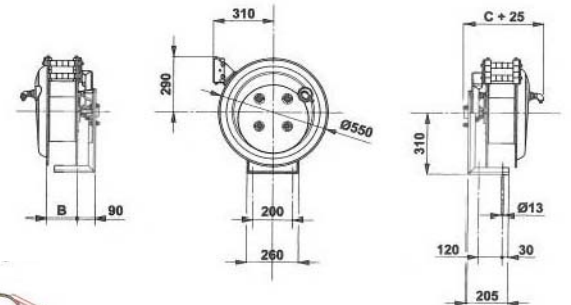
Series 8900 Hose Reels



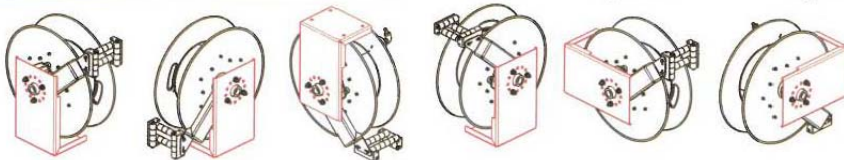
Overall dimensions & Standard mounting detail



Art. 8901—Optional bracket for wall, floor or ceiling mounting



Installation options with optional bracket
Art. 8901



Ref	Hose Dia.	Hose Payout	Max Pressure	Feed hose Dia.	Temp range	Hose end fitting	Incoming fitting	Incoming hose length	Use for	B mm	C mm
8911	8mm (5/16")	45m	20 bar	11.5mm	-5 / + 40 deg C	1/4"		1m	Air / Water	160	390
8921	10mm (3/8")	30m	20 bar	13.5mm	-5 / + 40 deg C	3/8"		1m	Air / Water	130	360
8922	10mm (3/8")	40m	20 bar	13.5mm	-5 / + 40 deg C	3/8"		1m	Air / Water	160	390
8931	13mm (1/2")	30m	20 bar	19mm	-5 / + 40 deg C	1/2"		1m	Air / Water	130	360
8932	13mm (1/2")	40m	20 bar	19mm	-5 / + 40 deg C	1/2"		1m	Air / Water	160	390
8941	19mm (3/4")	15m	10 bar	27mm	-5 / + 40 deg C	3/4"		1m	Air / Water	160	390
8951	25mm (1")	8 + 2m	10 bar	37mm	-5 / + 40 deg C	1"		1m	Air / Water	160	390
8911 ST	No Hose	-	20 bar	-	-5 / + 40 deg C	1/2" F	1/2" F		Air / Water	160	390
8921 ST	No Hose	-	20 bar	-	-5 / + 40 deg C	1/2" F	1/2" F		Air / Water	130	360
8922 ST	No Hose	-	20 bar	-	-5 / + 40 deg C	1/2" F	1/2" F		Air / Water	160	390
8931 ST	No Hose	-	20 bar	-	-5 / + 40 deg C	1/2" F	1/2" F		Air / Water	130	360
8932 ST	No Hose	-	20 bar	-	-5 / + 40 deg C	1/2" F	1/2" F		Air / Water	160	390
8941 ST	No Hose	-	20 bar	-	-5 / + 40 deg C	3/4" F	3/4" F		Air / Water	160	390
8951 ST	No Hose	-	20 bar	-	-5 / + 40 deg C	3/4" F	3/4" F		Air / Water	160	390

Series 8900 Hose Reels are designed for industrial applications requiring long payout lengths or large diameter hose. The finish construction is from painted aluminium and steel with side mounting bracket and ratchet (which can be easily removed if not required). The drums are supplied complete with a roller guide to guide the hose on to the drum.

Optional Device

8901 Mounting bracket (see details above)