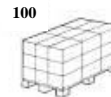
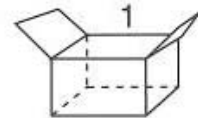
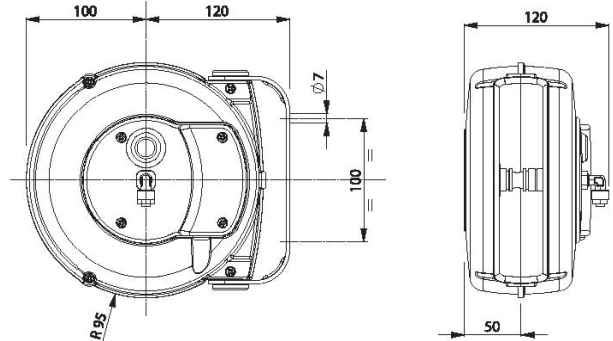


Series 9100 Hose Reels



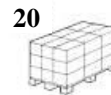
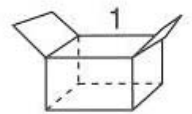
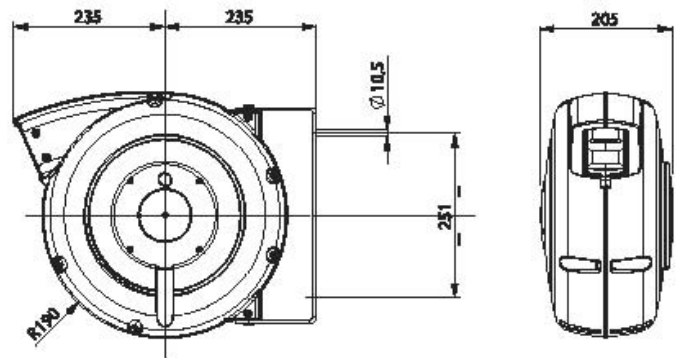
Kg 2.0
mm 240x195x120

Ref	Hose Dia.	Hose Payout	Max Pressure	Drum Colour	Temp range	Hose end fitting	Incoming fitting	Incoming hose length	Use for
9100/6	5.5mm (1/4")	5.5 + 1m	12 bar	Black / Yellow	-5 / + 40 deg C	1/4" M	Dia 6mm x 8	N/A	Air / Cold water

Series 9100 Hose Reels utilise a glossy polyurathene hose and are manufactured from shock resistant plastic and are mounted on a swivelling bracket for wall or ceiling mounting. The 9100 Hose reels also feature a ratchet stop every 50cm which can be easily disconnected if constant traction of hose is required.



Series 805 Hose Reels



Kg 7
mm 430x400x210



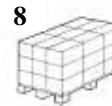
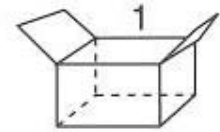
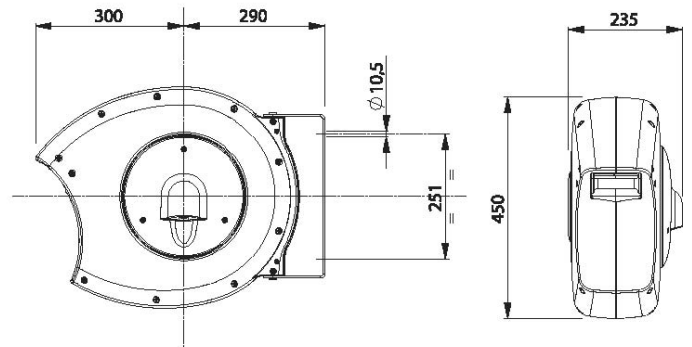
Ref	Hose Dia.	Hose Payout	Max Pressure	Drum Colour	Temp range	Hose end fitting	Incoming hose	Use for	
								Air	Cold water
805/8	8mm (5/16")	15 + 1m	15 bar	Yellow	-5 / +40 deg C	1/4" M	1.5m	Yes	Yes
805/10	10mm (3/8")	15 + 1m	15 bar	Yellow	-5 / +40 deg C	3/8" M	1.5m	Yes	Yes
805/8/S	8mm (5/16")	15 + 1m	15 bar	Grey	-5 / +40 deg C	1/4" M	1.5m	Yes	Yes
805/10/S	10mm (3/8")	15 + 1m	15 bar	Grey	-5 / +40 deg C	3/8" M	1.5m	Yes	Yes

Series 805 Hose Reels have an external case manufactured from shock resistant plastic and fitted with glossy poly-urathene hose. This range of drums comes complete with pivot mounting bracket as standard and features a ratchet stop every 50cm which can be easily disconnected if constant traction of hose is required. This range of drums is particularly recommended for manual payout applications.

Standard options include :-

949/805 - Fixed mounting bracket, ie removing the possibility of pivoting, this is essential for ceiling or floor mounting for vertical payout applications

Series 806 Hose Reels

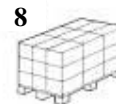
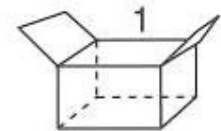
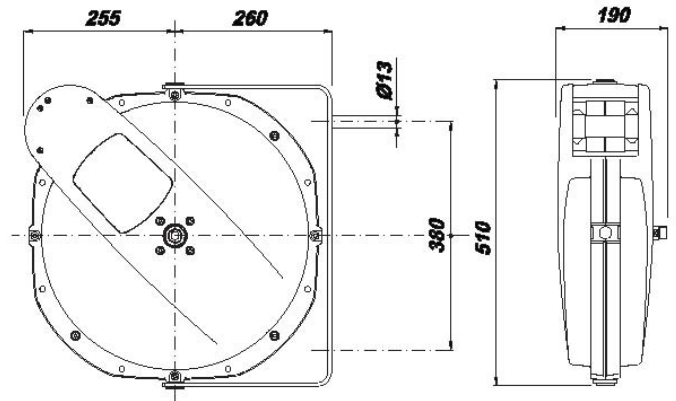


Kg 10
mm 610x555x280

Ref	Hose Dia.	Hose Payout	Max Pressure	Drum Colour	Temp range	Hose end fitting	Incoming fitting	Incoming hose length	Use for	
									Air	Cold water
806/10	10mm (3/8")	24 + 1m	15 bar	Yellow	-5 / +40 deg C	3/8" M	10mm	Not supplied	Yes	Yes
806/13	12.5mm	15 + 1m	15 bar	Yellow	-5 / +40 deg C	1/2" M	12.5mm	Not supplied	Yes	Yes
806/10/S	10mm (3/8")	24 + 1m	15 bar	Grey	-5 / +40 deg C	3/8" M	10mm	Not supplied	Yes	Yes
806/13/S	12.5mm	15 + 1m	15 bar	Grey	-5 / +40 deg C	1/2" M	12.5mm	Not supplied	Yes	Yes

Series 806 Hose Reels have an external case manufactured from shock resistant plastic and fitted with glossy poly-urathene hose. This range of drums comes complete with pivot mounting bracket as standard and features a ratchet stop every 50cm which can be easily disconnected if constant traction of hose is required.

Series 8800 Hose Reels



Kg 20
mm 565x515x300

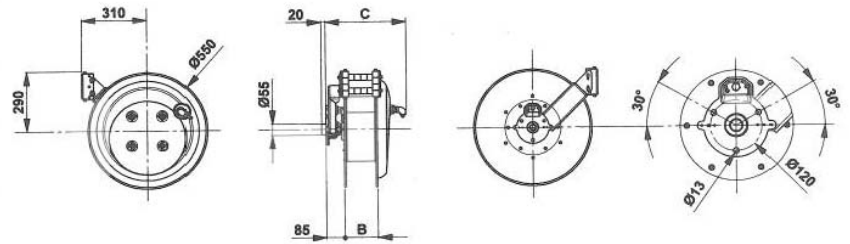
Ref	Hose Dia.	Hose Payout	Max Pressure	Drum Colour	Temp range	Hose end fitting	Incoming fitting	Incoming hose length	Use for
8801	No Hose		20 bar	Yellow	-5 / + 50 deg C			Not supplied	
8803	10mm (3/8")	20 + 1m	20 bar	Yellow	-5 / + 50 deg C	3/8" M	12.5mm	Not supplied	Air
8804	12.5mm	15 + 1m	20 bar	Yellow	-5 / + 50 deg C	1/2" M	12.5mm	Not supplied	Air
8810	No Hose		200 bar	Yellow	Max 155 deg C			Not supplied	
8820	10mm (3/8")	12 + 1m	60 bar	Yellow	-5 / + 50 deg C	3/8" F	12.5mm	Not supplied	Oil
8830	10mm (3/8")	12 + 1m	200 bar	Yellow	Max 155 deg C	3/8" F	12.5mm	Not supplied	Water

Series 8800 Hose Reels have an external case manufactured from die cast aluminium with painted finish and can fitted with hose in different models for Air / Water / Oil (see below for details). This range of drums can be supplied complete with pivot mounting bracket for low pressure models and wall / ceiling fixed mounting bracket for high pressure models. The 8800 Hose reels also feature a ratchet stop at the desired length, which can be easily disconnected if constant traction of hose is required.

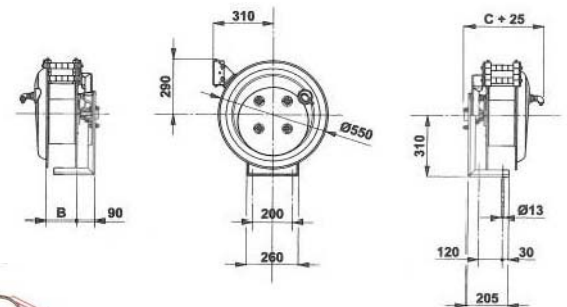
Series 8900 Hose Reels



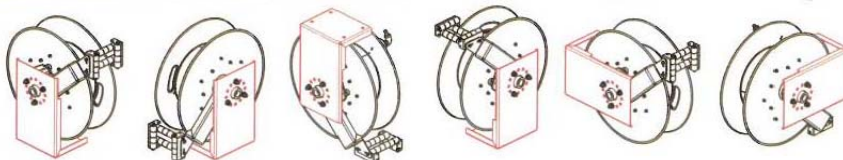
Overall dimensions & Standard mounting detail



Art. 8901—Optional bracket for wall, floor or ceiling mounting



Installation options with optional bracket Art. 8901



Ref	Hose Dia.	Hose Payout	Max Pressure	Feed hose Dia.	Temp range	Hose end fitting	Incoming fitting	Incoming hose length	Use for	B mm	C mm
8911	8mm (5/16")	45m	20 bar	11.5mm	-5 / + 40 deg C	1/4"		1m	Air / Water	160	390
8921	10mm (3/8")	30m	20 bar	13.5mm	-5 / + 40 deg C	3/8"		1m	Air / Water	130	360
8922	10mm (3/8")	40m	20 bar	13.5mm	-5 / + 40 deg C	3/8"		1m	Air / Water	160	390
8931	13mm (1/2")	30m	20 bar	19mm	-5 / + 40 deg C	1/2"		1m	Air / Water	130	360
8932	13mm (1/2")	40m	20 bar	19mm	-5 / + 40 deg C	1/2"		1m	Air / Water	160	390
8941	19mm (3/4")	15m	10 bar	27mm	-5 / + 40 deg C	3/4"		1m	Air / Water	160	390
8951	25mm (1")	8 + 2m	10 bar	37mm	-5 / + 40 deg C	1"		1m	Air / Water	160	390
8911 ST	No Hose	-	20 bar	-	-5 / + 40 deg C	1/2" F	1/2" F		Air / Water	160	390
8921 ST	No Hose	-	20 bar	-	-5 / + 40 deg C	1/2" F	1/2" F		Air / Water	130	360
8922 ST	No Hose	-	20 bar	-	-5 / + 40 deg C	1/2" F	1/2" F		Air / Water	160	390
8931 ST	No Hose	-	20 bar	-	-5 / + 40 deg C	1/2" F	1/2" F		Air / Water	130	360
8932 ST	No Hose	-	20 bar	-	-5 / + 40 deg C	1/2" F	1/2" F		Air / Water	160	390
8941 ST	No Hose	-	20 bar	-	-5 / + 40 deg C	3/4" F	3/4" F		Air / Water	160	390
8951 ST	No Hose	-	20 bar	-	-5 / + 40 deg C	3/4" F	3/4" F		Air / Water	160	390

Series 8900 Hose Reels are designed for industrial applications requiring long payout lengths or large diameter hose. The finish construction is from painted aluminium and steel with side mounting bracket and ratchet (which can be easily removed if not required). The drums are supplied complete with a roller guide to guide the hose on to the drum.

Optional Device

8901 Mounting bracket (see details above)