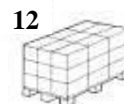
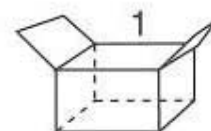
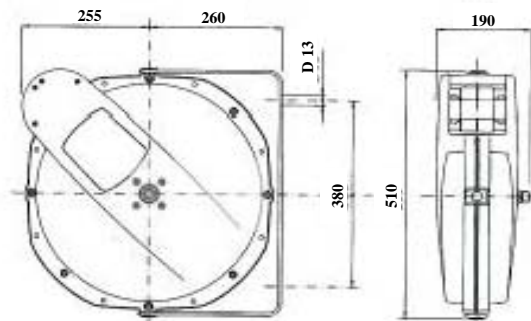


Series 8800 Hose Reels



Kg 20
mm 565x515x300

Ref	Hose Dia.	Hose Payout	Max Pressure	Drum Colour	Temp range	Hose end fitting	Incoming fitting	Incoming hose length	Use for
8801	No Hose		20 bar	Yellow	-5 / + 50 deg C			Not supplied	
8803	10mm (3/8")	20 + 1m	20 bar	Yellow	-5 / + 50 deg C	3/8" M	12.5mm	Not supplied	Air
8804	12.5mm (1/2")	15 + 1m	20 bar	Yellow	-5 / + 50 deg C	1/2" M	12.5mm	Not supplied	Air
8810	No Hose		200 bar	Yellow	Max 155 deg C			Not supplied	
8820	10mm (3/8")	12 + 1m	60 bar	Yellow	-5 / + 50 deg C	3/8" F	12.5mm	Not supplied	Oil
8830	10mm (3/8")	12 + 1m	200 bar	Yellow	Max 155 deg C	3/8" F	12.5mm	Not supplied	Water

Series 8800 Hose Reels have an external case manufactured from die cast aluminium with painted finish and can fitted with hose in different models for Air / Water / Oil (see below for details). This range of drums can be supplied complete with pivot mounting bracket for low pressure models and wall / ceiling fixed mounting bracket for high pressure models. The 8800 Hose reels also feature a ratchet stop at the desired length, which can be easily disconnected if constant traction of hose is required.