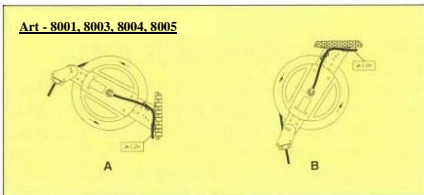
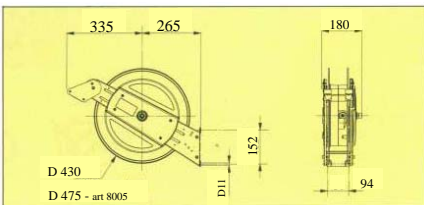
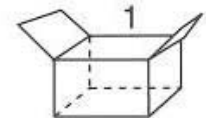
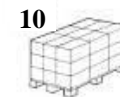
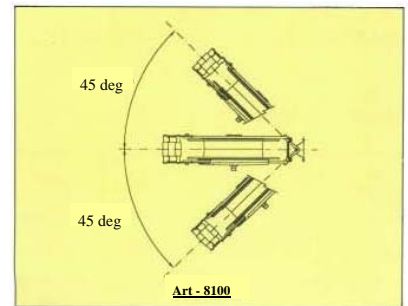
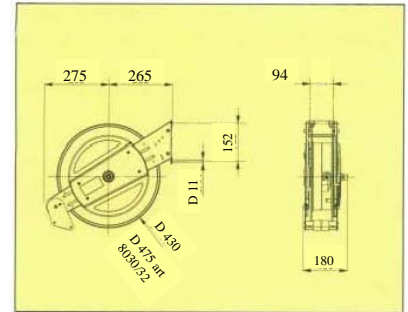
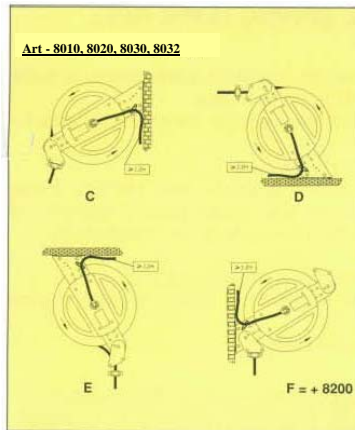
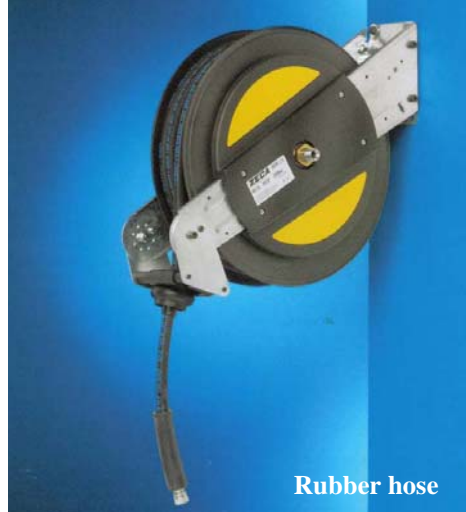


Series 8000 Hose Reels

LOW PRESSURE MODELS



HIGH PRESSURE MODELS



Kg 13 / 19
mm 590x430x215

Ref	Hose Dia.	Hose Payout	Max Pressure	Temp range	Hose end fitting	Incoming fitting	Incoming hose length	Use for
8001	No Hose		20 bar	-5 / + 50 deg C		1/2" M	Not supplied	
8003	10mm (3/8")	20 + 1m	20 bar	-5 / + 50 deg C	3/8" M	1/2" M	Not supplied	Air
8004	12.5mm (1/2")	15 + 1m	20 bar	-5 / + 50 deg C	1/2" M	1/2" M	Not supplied	Air
8005	12.5mm (1/2")	20 + 1m	20 bar	-5 / + 50 deg C	1/2" M	1/2" M	Not supplied	Air
8010	No Hose		200 bar	Max 155 deg C		1/2" M	Not supplied	
8030	9.5mm (3/8")	14 + 1m	200 bar	Max 155 deg C	3/8" F	1/2" M	Not supplied	Water
8032	8.0mm (5/16")	19 + 1m	200 bar	Max 155 deg C	3/8" F	1/2" M	Not supplied	Water
8020	9.5mm (3/8")	14 + 1m	60 bar	-5 / + 50 deg C	3/8" F	1/2" M	Not supplied	Oil

Series 8000 Hose Reels are manufactured from special heavy duty engineering plastic and are mounted on a galvanised steel supporting bracket. These reels can fitted with 1/4", 5/16", 3/8" or 1/2" hose in different models for Air / Water / Oil (see above for details). The 8000 Hose reels also feature a ratchet stop at the desired length, which can be easily disconnected if constant traction of hose is required.

Options

8100 Swivelling mounting bracket

8009 22 x 1.5 adapter for high pressure reel (for Karcher washing machine)