

Nickel Plated Brass Glands & Locknuts with Neoprene Rubber compression inserts.

PG GLANDS

Type.	Thread Size.	Clearance Dia.	Thread Length.	Capacity Wide.	Capacity Thick.
12.1616	PG 16.0	23.0mm	6.5mm	5 - 16mm	2 - 5mm
12.2121	PG 21.0	28.0mm	7.0mm	9 - 21mm	3 - 8mm
12.2930	PG 29.0	37.0mm	8.0mm	14 - 30mm	4 - 11mm
12.3640	PG36.0	47.0mm	9.0mm	24 - 40mm	4 - 11
12.3642	PG 36.0	47.0mm	9.0mm	42mm	6mm
12.4245	PG 42.0	53.0mm	10.0mm	29 - 45mm	5 - 12mm
12.4250	PG 42.0	53.0mm	10.0mm	50mm	6mm
18.3642 (Nylon)	PG 36.0	47.0mm	10.0mm	42mm	6mm



Nickel plated Brass Glands

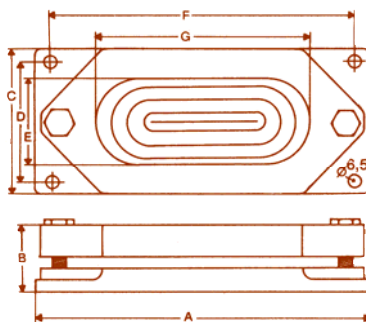
METRIC GLANDS

Type.	Thread Size.	Clearance Dia.	Thread Length.	Capacity Wide.	Capacity Thick.
M20 / 16	M20	22.0mm	6.5mm	1 - 15mm	1 - 5mm
M25 / 21	M25	28.0mm	7.0mm	9 - 20mm	3 - 8mm
M32 / 29	M32	35.0mm	8.0mm	14 - 27mm	4 - 11.5mm
M40 / 36	M40	43.0mm	9.0mm	24 - 34mm	4 - 11.5mm
M50 / 42	M50	53.0mm	9.0mm	29 - 44mm	5 - 12mm
M63 / 48	M63	66.0mm	10.0mm	34 - 50mm	5 - 12mm



Neoprene Rubber Compression inserts

DIE CAST ALUMINIUM CABLE GLAND PLATES



Type	A	B	C	D	E	F	G	Capacity Wide	Capacity Thick
8107	103mm	28mm	44mm	32mm	16mm	89mm	60mm	46 - 56mm	6 - 15mm
8108	127mm	32mm	56mm	42mm	25mm	110mm	79mm	60 - 75mm	8 - 22mm
8110	165mm	32mm	75mm	58mm	40mm	146mm	94mm	60 - 75 - 93mm	8 - 22 - 39mm



All Polyethylene Glands are supplied c/w Nylon Washer & Locknut

POLYETHYLENE FLUTE GLANDS

(All PG sizes are stock items)



Type PG16 Flute Gland

Thread PG16
Min cable size 17 x 6mm
Max cable size 19 x 8mm

Type PG21 Flute Gland

Thread	Ref	Min cable size	Max cable size
PG21	82-0	19 x 7mm	22 x 9mm
PG21	83-9	26 x 8mm	29 x 10mm
PG21	85-5	27 x 4mm	30 x 6mm
PG21	80-4	36 x 7mm	39 x 9mm
PG21	92-8	37 x 11mm	40 x 14mm

Reducers

Ext Thread	Int. Thread	Reference
PG29	PG21	44-2
PG29	PG16	79-9
PG21	PG16	41-8
PG21	PG13.5	

Enlargers

Ext Thread	Int. Thread	Reference
PG16	PG21	97-7

METRIC SIZES (Available to order)



Type M20 Flute Gland

Thread M20
Min cable size 17 x 6mm
Max cable size 19 x 8mm



Type M25 Flute Gland

Thread	Ref	Min cable size	Max cable size
M25	M25-01	27 x 4mm	30 x 6mm
M25	M25-02	30 x 6mm	33 x 8mm
M25	M25-03	19 x 7mm	22 x 9mm
M25	M25-04	36 x 7mm	39 x 9mm
M25	M25-05	26 x 8mm	29 x 10mm
M25	M25-06	28.5 x 8.5mm	31.5 x 10.5mm
M25	M25-07	31 x 9mm	35 x 12mm
M25	M25-08	37 x 11mm	40 x 14mm



Type M32 Flute Gland

Thread	Ref	Min cable size	Max cable size
M32	M32-01	27 x 4mm	30 x 6mm
M32	M32-02	30 x 6mm	33 x 8mm
M32	M32-03	19 x 7mm	22 x 9mm
M32	M32-04	36 x 7mm	39 x 9mm
M32	M32-05	26 x 8mm	29 x 10mm
M32	M32-06	28.5 x 8.5mm	31.5 x 10.5mm
M32	M32-07	31 x 9mm	35 x 12mm
M32	M32-08	37 x 11mm	40 x 14mm



Type M40 Flute Gland

Thread	Ref	Min cable size	Max cable size
M40	M40-01	27 x 4mm	30 x 6mm
M40	M40-02	30 x 6mm	33 x 8mm
M40	M40-03	19 x 7mm	22 x 9mm
M40	M40-04	36 x 7mm	39 x 9mm
M40	M40-05	26 x 8mm	29 x 10mm
M40	M40-06	28.5 x 8.5mm	31.5 x 10.5mm
M40	M40-07	31 x 9mm	35 x 12mm
M40	M40-08	37 x 11mm	40 x 14mm