

Hose Reeling Drums

Hose reeling drums for air and cold water



SIMBAL Hose Reeling Drums

The standard SIMBAL range of spring operated cable hose reeling drums are the ideal solution for a wide range of air and cold water applications. These drums come as an integral unit with pre-fitted hose and a swiveling wall mounting bracket (not on types 8000 / 8900). They are available with hose diameters up to 25mm (1") and with various payout lengths, for exact specifications please see data on the following pages.

We can also supply hose drums for use with oil and high pressure water, please contact our sales office on 01298 813883 or email sales@simbal.net for more information on these products.



Features

- Shock resistant plastic external case (Die cast aluminium on series AL & 8800 drums)
- Hose roller guide
- Ratchet stop every 50mm (easily disconnected if not required)
- Working temperature -5 / +40 deg C

Typical applications

Typical fields of application for our hose reels include garages and a wide range of general workshops plus many more applications across a wide range of industries.

Optional Extras




















Standard options which can be fitted to SIMBAL spring operated hose drums fixing bolts to restrict the swivel action of fixing bracket. A range of roller guides is also available to complement the full range of drums.

Technical Data

Please see the following sheets for technical and dimensional data.

Hose Reeling Drums

Hose drums for air and cold water

Technical Data												
Ref		Hose internal diameter	Hose payout	Max. pressure	Working temperature	Fitting at end of hose	Incoming fitting	Incoming pipe	Air	Cold Water	Hose	Page
9100/6		5.5mm	6.5m (5.5 + 1)	12 bar (1.2 Mpa)	-5 deg - + 40 deg C	1/4" M	6mm dia x 8mm	Not included	Yes	Yes	PU	
804/8 804/85		8mm (5/16")	10m (9 + 1)	15 bar (1.5 Mpa)	-5 deg - + 40 deg C	1/4" M	None	1.5m	Yes	Yes	PU	
805/8 805/85		8mm (5/16")	16m (15 + 1)	15 bar (1.5 Mpa)	-5 deg - + 40 deg C	1/4" M	None	1.5m	Yes	Yes	PU	
805/10 805/105		10mm (3/8")	16m (15 + 1)	15 bar (1.5 Mpa)	-5 deg - + 40 deg C	3/8" M	None	1.5m	Yes	Yes	PU	
AL81/8		8mm (5/16")	10m (9 + 1)	15 bar (1.5 Mpa)	-5 deg - + 40 deg C	1/4" M	None	1.5m	Yes	Yes	PU	
AL83/10		10mm (3/8")	16m (15 + 1)	15 bar (1.5 Mpa)	-5 deg - + 40 deg C	3/8" M	None	1.5m	Yes	Yes	PU	
813/8 813/85		8mm (5/16")	12m (10 + 1)	12 bar (1.2 Mpa)	-5 deg - + 40 deg C	1/4" M	1/4" M	2m	Yes	Yes	PVC/ PU	
813/10 813/105		10mm (3/8")	9m (7 + 2)	12 bar (1.2 Mpa)	-5 deg - + 40 deg C	3/8" M	3/8" M	2m	Yes	Yes	PVC/ PU	
806/10		10mm (3/8")	25m (24 + 1)	15 bar (1.5 Mpa)	-5 deg - + 40 deg C	3/8" M	10mm	None	Yes	Yes	PU	
806/13		12.5mm (1/2")	16m (15 + 1)	15 bar (1.5 Mpa)	-5 deg - + 40 deg C	1/2" M	12.5mm	None	Yes	Yes	PU	
8803		10mm (3/8")	21m (20 + 1)	20 bar (2.0 Mpa)	-5 deg - + 40 deg C	3/8" M	1/2" M	None	Yes	Yes	PU	
8804		12.5mm (1/2")	16m (15 + 1)	20 bar (2.0 Mpa)	-5 deg - + 40 deg C	1/2" M	1/2" M	None	Yes	Yes	PU	
8003		10mm (3/8")	21m (20 + 1)	20 bar (2.0 Mpa)	-5 deg - + 40 deg C	3/8" M	1/2" M	None	Yes	Yes	PU	
8004		12.5mm (1/2")	16m (15 + 1)	20 bar (2.0 Mpa)	-5 deg - + 40 deg C	1/2" M	1/2" M	None	Yes	Yes	PU	
8005		12.5mm (1/2")	21m (20 + 1)	20 bar (2.0 Mpa)	-5 deg - + 40 deg C	1/2" M	1/2" M	None	Yes	Yes	PU	
8911		8mm (5/16")	47m (45 + 2)	20 bar (2.0 Mpa)	-5 deg - + 40 deg C	1/4"	None	1m	Yes	Yes	PU	
8922		10mm (3/8")	42m (40 + 1)	20 bar (2.0 Mpa)	-5 deg - + 40 deg C	3/8"	None	1m	Yes	Yes	PU	
8932		12.5mm (1/2")	42m (40 + 1)	20 bar (2.0 Mpa)	-5 deg - + 40 deg C	1/2"	None	1m	Yes	Yes	PU	
8941		19mm (3/4")	17m (15 + 2)	10 bar (1.0 Mpa)	-5 deg - + 40 deg C	3/4"	None	1m	Yes	Yes	Black PVC	
8951		25mm (1")	10m (8 + 2)	10 bar (1.0 Mpa)	-5 deg - + 40 deg C	1"	None	1m	Yes	Yes	Black PVC	

We reserve the right to amend all technical details without prior notification



Hose Reeling Drums

Mini Reels

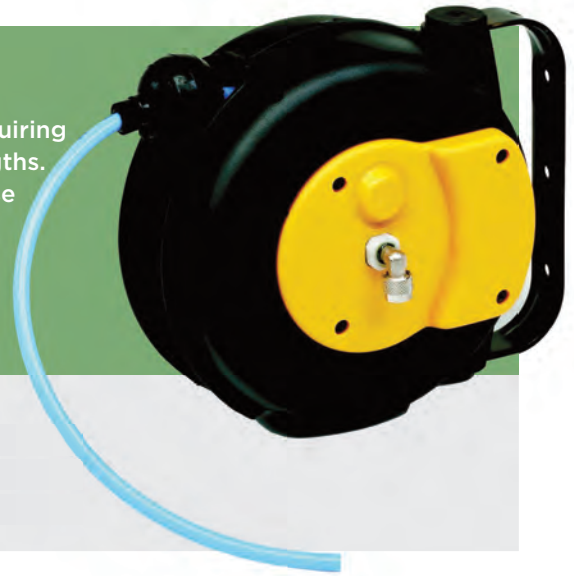
Series 9100 Hose Mini Reels

SIMBAL series 9100 hose 'mini' reels provide a cost effective solution for a wide range of applications requiring 5.5mm diameter hose and relatively short payout lengths. The reels feature a shock resistant plastic external case and are fitted with a ratchet stop device every 500mm, this device can be easily disconnected if constant cable traction is required.

The reels also include additional features as follows.

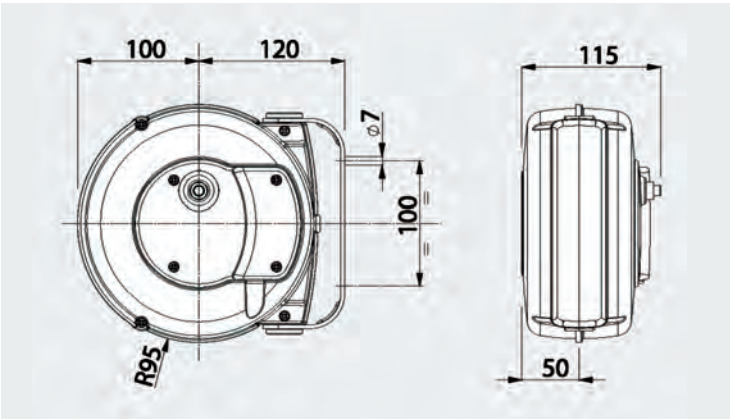
Features :

- Polyurethane hose
- Pivoting wall mounting bracket
- Working temperature -5/+40°C



Technical Data

Drum Ref	Hose Dia.	Hose Payout	Max. Pressure	End Pipe Fitting	Incoming Fitting	Incoming Hose	Suitable for AIR	Suitable for COLD WATER	Suitable for HIGH PRESSURE WATER	Suitable for OIL
9100/6	5.5mm	6.5m (5.5+1)	12 bar (1.2 Mpa)	1/4" Male	6mm Dia x 8mm	Not included	Yes	Yes	No	No



ISO EN 12100-1 ISO EN 12100-2		100
CE		mm 240 x 195 x 120 Kg 3.0

Hose Reeling Drums

Series 804/805/813



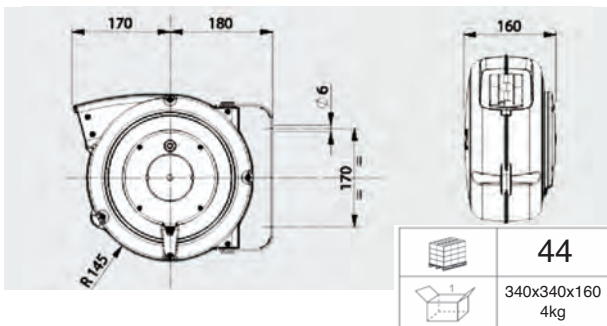
SIMBAL series 804/805/813 hose reels provide a cost effective solution for a wide range of applications with hose lengths up to 16m. The reels feature a shock resistant plastic external case with wall fixing pivot bracket and are fitted with a ratchet stop device every 500mm, this device can be easily disconnected if constant cable traction is required.

The reels also include additional features as follows.

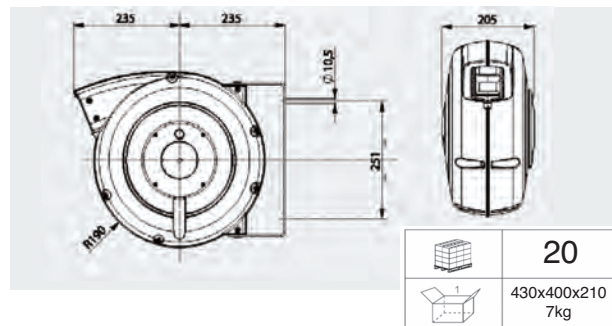
Features

- Polyurethane hose
- Working temperature $-5/+40^{\circ}\text{C}$

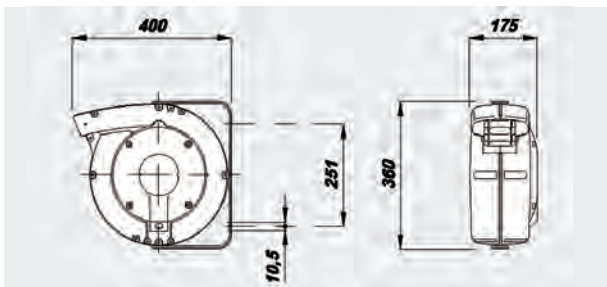
Dimensions - Series 804



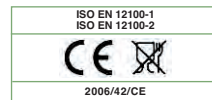
Dimensions - Series 805



Dimensions - Series 813



Series 804/805/13 hose drums are available in either yellow or grey (s) outer case colour.



Technical Data

Drum Ref	Hose Dia.	Hose Payout	Max. Pressure	End Pipe Fitting	Incoming Fitting	Incoming Hose	Suitable for AIR	Suitable for COLD WATER	Suitable for HIGH PRESSURE WATER	Suitable for OIL
804/8 804/85	8mm	10m (9+1)	15 bar (1.5 Mpa)	1/4" Male	Not included	1.5m	Yes	Yes	No	No
805/8 805/85	8mm	16m (15+1)	15 bar (1.5 Mpa)	1/4" Male	Not included	1.5m	Yes	Yes	No	No
805/10 805/10S	10mm	16m (15+1)	15 bar (1.5 Mpa)	3/8" Male	Not included	1.5m	Yes	Yes	No	No
813/8 813/85	8mm	12m (10+2)	12 bar (1.2 Mpa)	1/4" Male	1/4" Male	2m	Yes	Yes	No	No
813/10 813/10S	10mm	9m (7+2)	12 bar (1.2 Mpa)	3/8" Male	3/8" Male	2m	Yes	Yes	No	No

We reserve the right to amend all technical details without prior notification



Hose Reeling Drums

Series AL

SIMBAL Series AL Hose Reeling Drums

SIMBAL series AL hose reels provide a high quality solution for a wide range of applications where a top quality, hard wearing reel is desirable.

The reels feature a die cast aluminium external case with wall fixing pivot bracket and are fitted with a ratchet stop device every 500mm, this device can be easily disconnected if constant cable traction is required.

Features

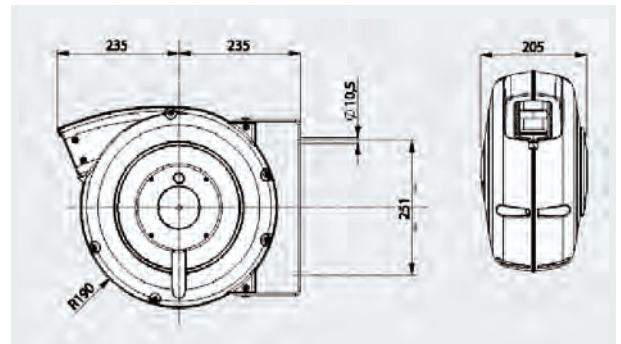
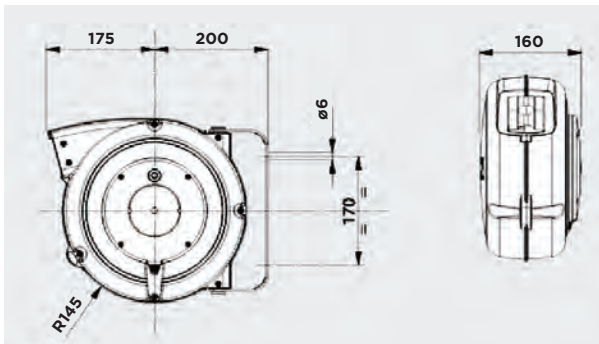
- Polyurethane hose

- Working temperature -5 / +40 deg C

AL81/8



AL83/10



Technical Data

Drum Ref	Hose dia	Hose payout	Max. pressure	End pipe fitting	Incoming fitting	Incoming hose	Suitable for AIR	Suitable for COLD WATER	Suitable for HIGH PRESSURE WATER	Suitable for OIL
AL81/8	8mm	10m (9+1)	15bar (1.5Mpa)	1/4" M	No	1.5m	Yes	Yes	No	No
AL83/10	10mm	16m (15+1)	15bar (1.5Mpa)	3/8" M	No	1.5m	Yes	Yes	No	No

Hose Reeling Drums

SIMBAL Hose Reeling Drums Series 806 / 8800

SIMBAL series 806 hose reels provide a cost effective solution for a wide range of applications where longer hose payout lengths are required. The reels feature a shock resistant plastic external case with wall fixing pivot bracket and are fitted with a ratchet stop device every 500mm, this device can be easily disconnected if constant cable traction is required.



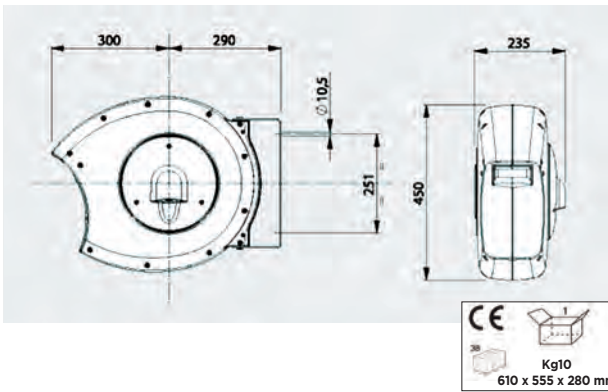
Series 8800 Hose reels feature a die cast aluminium case making them ideal for more arduous applications, this series is also available for high pressure (200 bar) applications.

The reels also include additional features as follows:

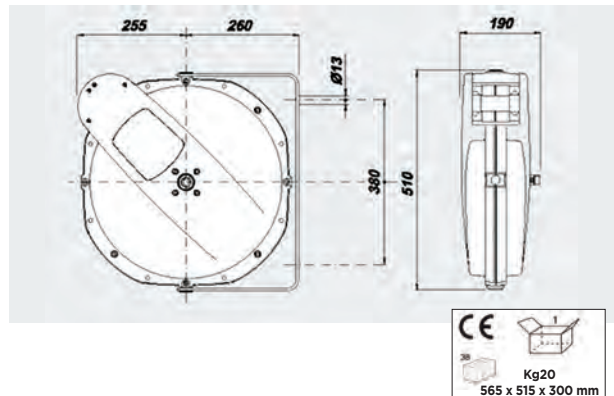
- Polyurethane hose
- Working temperature: -5 / +40 deg C



Dimensions - Series 806



Dimensions - Series 8800



Technical Data

Drum Ref	Hose dia	Hose payout	Max. pressure	End pipe fitting	Incoming fitting	Incoming hose	Suitable for for AIR	Suitable for COLD WATER	Suitable for HIGH PRESSURE WATER	Suitable for OIL
806/10	10mm	25m (24+1)	15bar (1.5Mpa)	3/8" M	10mm	Not included	Yes	Yes	No	No
806/13	12.5mm	16m (15+1)	15bar (1.5Mpa)	1/2" M	12.5mm	Not included	Yes	Yes	No	No
8803	10mm	21m (20+1)	20bar (2.0Mpa)	3/8" M	1/2" M	Not included	Yes	Yes	No	No
8804	12.5mm	16m (15+1)	20bar (2.0Mpa)	1/2" M	1/2" M	Not included	Yes	Yes	No	No
8830	10mm	15m (14+1)	200bar (20Mpa)	3/8" F	1/2" M	Not included	Yes	Yes	Yes	Yes

We reserve the right to amend all technical details without prior notification

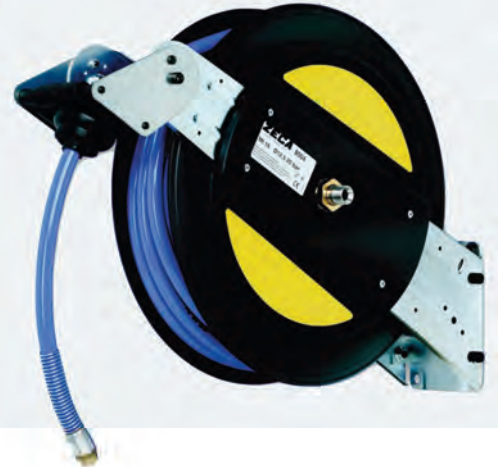


Hose Reeling Drums

SIMBAL Hose Reeling Drums Series 8000 / 8900

SIMBAL series 8000 hose reels are manufactured from heavy duty plastic and feature a galvanised steel supporting bracket, this range is suitable for a wide range of applications with hose diameter up to 12.5mm and payout lengths up to 21m. The reels are fitted with a ratchet stop device every 500mm, this device can be easily disconnected if constant cable traction is required.

Series 8000 hose drums are also available in a high pressure variant (200 bar) which can also be used for high pressure water & oil.



SIMBAL Series 8900 Hose reels are the largest in the range and are available with hose diameters up to 25mm and payout lengths up to 42m. The drum frames are constructed from a combination of steel & aluminium making them ideal for the most arduous applications.



Technical Data

Drum Ref	Hose dia	Hose payout	Max. pressure	End pipe fitting	Incoming fitting	Incoming hose	Suitable for for AIR	Suitable for COLD WATER	Suitable for HIGH PRESSURE WATER	Suitable for OIL
8001	No hose	No hose	120bar (2.0Mpa)	3/8" M	1/2" M	Not included	Yes	Yes	No	No
8003	10mm	21m (20+1)	20bar (2.0Mpa)	3/8" M	1/2" M	Not included	Yes	Yes	No	No
8004	12.5mm	16m (15+1)	20bar (2.0Mpa)	1/2" M	1/2" M	Not included	Yes	Yes	No	No
8005	12.5mm	21m (20+1)	20bar (2.0Mpa)	1/2" M	1/2" M	Not included	Yes	Yes	No	No
8911	8mm	47m (45+1)	20bar (2.0Mpa)	1/4" M		1m	Yes	Yes	No	No
8921	10mm	32m (30+2)	20bar (2.0Mpa)	3/8" M		1m	Yes	Yes	No	No
8922	10mm	42m (40+2)	20bar (2.0Mpa)	3/8" M		1m	Yes	Yes	No	No
8931	13mm	32m (30+2)	20bar (2.0Mpa)	1/2" M		1m	Yes	Yes	No	No
8932	13mm	42m (40+2)	20bar (2.0Mpa)	1/2" M		1m	Yes	Yes	No	No
8941	19mm	17m (15+2)	10bar (1.0Mpa)	3/4" M		1m	Yes	Yes	No	No
8951	25mm	10m (8+2)	10bar (1.0Mpa)	1" M		1m	Yes	Yes	No	No