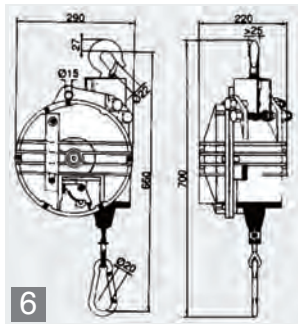


# Spring Balancers – 15-180kg (2500 stroke) – 15-180kg (3000 stroke)

## SIMBAL Tool Balancers

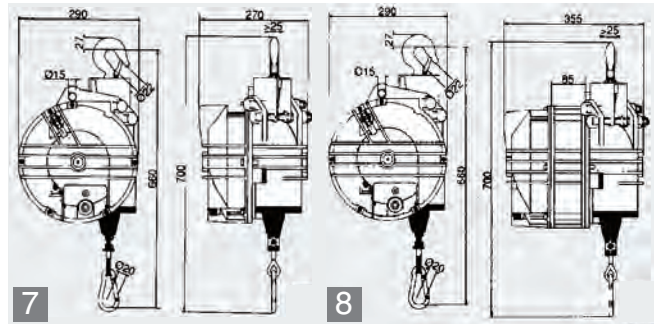
### Features

- Taper drum on ball bearings
- Inert spring drum assembly for easy replacement
- Adjustable capacity by worm screw
- Precision guided cable winding avoiding entanglement & jamming
- Adjustable stroke limiting device
- Rotary safety hook top & bottom
- Auxiliary safety cable
- Stainless steel cable
- Anti-friction cable guide
- Locking device for instant clamping or release at any height
- Safety device prevents the load from dropping in the event of spring failure
- Ribbed, sealed mono block construction for optimum safety and strength
- Optional - Locking device for floor control (Type B)
- Optional - Load hook with ball bearing swivel (Type R)



### 2500 stroke

Item Code	Capacity (kg)	Weight (kg)	Drg No.
9401	15 - 20	19.0	6
9402	20 - 30	19.86	6
9403	30 - 40	20.8	6
9404	40 - 50	23.9	6
9405	50 - 60	25.4	6
9411	60 - 70	26.8	7
9412	70 - 80	27.8	7
9413	80 - 90	28.8	7
9414	90 - 100	30.0	7
9422	100 - 120	38.7	8
9423	120 - 140	41.8	8
9424	130 - 150	44.5	8
9425	140 - 160	48.0	8
9426	160 - 180	49.0	8



### 3000 stroke

Item Code	Capacity (kg)	Weight (kg)	Drg No.
9431	15.0 - 20.0	19.1	6
9432	20.0 - 25.0	19.9	6
9433	25.0 - 35.0	20.9	6
9434	35.0 - 45.0	23.8	7
9435	40.0 - 50.0	23.9	7
9436	50.0 - 60.0	25.3	7
9441	60.0 - 70.0	27.0	7
9442	70.0 - 80.0	28.0	7
9443	80.0 - 90.0	29.0	7
9444	80.0 - 100.0	29.0	7
9451	100.0 - 115.0	30.7	8
9452	115.0 - 130.0	39.9	8
9453	130 - 140	42.8	8
9454	140 - 150	45.6	8
9455	150 - 160	49.0	8
9456	160 - 180	50.0	8