

# Heavy Duty RSJ Festoon Systems

## Cable & Hose Carrying Systems



### Application

Heavy duty RSJ trolleys are commonly used in a large variety of applications where there is a requirement to carry multiples of large cables, usually over long travel lengths and at relatively high speeds. Typical applications include steelworks, quarries and dockside cranes and machines. Trolleys can be selected from a standard range or made to order for specific requirements with trolley capacities up to 600kg and travel speeds up to 150 m/min.



### Trolley Construction

- Mild steel body, hot dip galvanized as standard – specials available with epoxy paint finish or complete stainless steel construction.
- All nuts and bolts are either galvanized or stainless steel depending on the application
- Wheels from hardened steel with sealed for life bearings/bearing dust seals.
- Wheels can be either flanged or plain and are vulkollan covered to prevent noise and wear in high speed applications.
- Top, bottom and side guide rollers can be fitted where required.

### Heavy duty RSJ trolleys carrying multiple cables on overhead crane



### Two-tier heavy duty RSJ trolley with epoxy paint finish



# Heavy Duty RSJ Festoon Systems

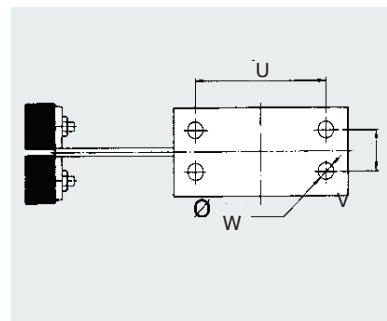
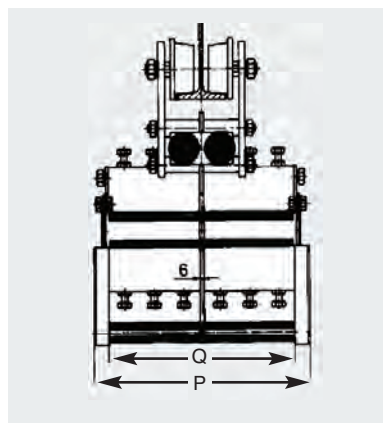
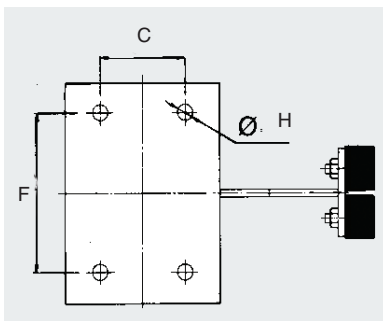
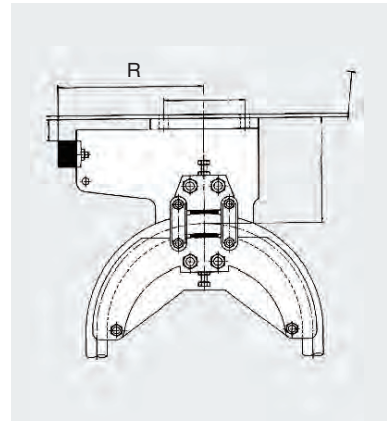
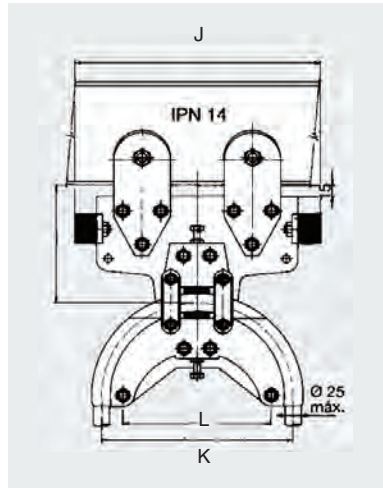
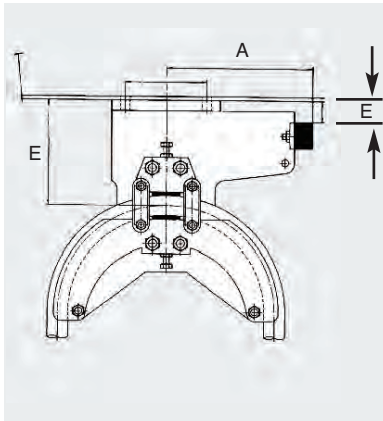
## Cable & Hose Carrying Systems

RSJ Trolleys – Dimensions & Capacities

Ref.	A	B	C	D	E	F	G	H	J	K	L	M	N	O	P	Q	R	S
2.328-300	150								300	250	195					400	150	
2.328-390	195								390	330	267					450	195	
2.333	166	270	110	80	40	130	80	13	330	250	195	160	25	15	146-446	106-406	165	80
2.334	210	280	110	100	40	180	100	15	420	330	267	160	33	15	151-551	107-507	210	120
2.345	270	290	110	100	40	200	100	17	540	400	325	200	40	15	152-602	108-558	270	150
2.346	310	290	110	100	45	400	100	19	620	480	398	210	48	15	154-654	110-609	310	180

RSJ Trolleys – Dimensions & Capacities

Ref.	T	U	V	W	Round cable max. dia.	Flat cable max. bundle	Max. no. tiers	Max. trolley load/speed
2.328-300					25mm	400m x 40mm	1	80kg @ 80m/min
2.328-390					33mm	450m x 40mm	1	80kg @ 80m/min
2.333	145	80	34	13	25mm	2 x 100mm x 35mm	1	350kg @ 100m/min
2.334	145	120	38	15	33mm	2 x 250mm x 40mm	2	450kg @ 120m/min
2.345	180	150	44	17	40mm	2 x 275mm x 50mm	3	600kg @ 150m/min
2.346	190	180	46	19	48mm	2 x 300mm x 60mm	3	600kg @ 150m/min



### Accessories

We also offer a large selection of cable clamps, tow ropes and tow chains to complement the full range of trolleys, these items are normally made specifically to suit the cable stack and loop depth and more details are available from our sales department.

The above represents a small range of standard trolleys. Special trolleys can be quoted on request. For a large range of special applications – please call for details.

We reserve the right to amend all technical details without prior notification

