

Cable Reeling Drums

Heavy Duty Type 'LT' Spring Operated Cable Reeling Drums

SIMBAL type 'LT' spring operated cable reeling drums are designed for cylindrical or spiral winding of any suitable reeling cable for transmission of power, control or data signals. They are also available for hoses with liquid or gaseous media. The mechanical drive occurs via spiral leaf springs manufactured from a special spring band steel. Under normal working conditions, expected spring life would be approx. 120,000 cycles.



Possible applications

Typical fields of application for our spring operated cable reels are mobile cranes, gantry cranes, forklifts, machine tools and environmental engineering plants. The drums are available in a large range of sizes offering solutions for various cable sections with payout lengths in excess of 100m whilst the quality and performance criteria of the springs permits speeds up to 65m/min. Standard construction includes brass sliprings with copper contact brushes, rhodium or nickel plated rings and brushes are also available for data and signal transmission.

Optional extras

Standard options which can be fitted to SIMBAL spring operated drums include locking devices, conduit arms and wall or ceiling mounting brackets with or without swivel devices. A range of ancillary items including roller guides and turnover anchors is also available to complement the full range of drums.

Availability

Many of the SIMBAL spring operated cable drums are available on an express shipment programme with despatch from our warehouse within 5-7 working days of receipt of order, the drums available on this programme are indicated as 'E type' drums on the following pages. All other drums are generally available on a 2-3 week lead time.

Cable Reeling Drums

Heavy Duty Type 'LT'

Cable size 4 G 1.5mm ²				
Type: PUR		Diameter: 11.2mm		Weight: 0.16kg/m
Drum Ref.	Payout Length		Sliprings	E type
	Horizontal	Vertical		
LT155/108-4-26	7m	7m	26A	E1075-5000
LT155/208H-4-26	NA	9m	26A	
LT180/131-4-26	12m	12m	26A	E1076-5000
LT180/231H-4-26	27m	18m	26A	E1076-5005
LT220/251H-4-26	26m	25m	26A	E1077-5008
LT222/351H-4-26	38m	35m	26A	
LT300/252H-4-26	47m	35m	26A	E1079-5011
LT301/352H-4-26	72m	N/A	26A	
LT301/372H-4-26	N/A	50m	26A	
LT530/286H-4-26	N/A	64m	36A	

Cable size 5 G 1.5mm ²				
Type: PUR		Diameter: 11.8mm		Weight: 0.18kg/m
Drum Ref.	Payout Length		Sliprings	E type
	Horizontal	Vertical		
LT155/108-5-26	7m	7m	26A	E1075-5001
LT180/131-5-26	12m	12m	26A	E1076-5001
LT180/231H-5-26	20m	18m	26A	E1076-5006
LT220/251H-5-26	26m	25m	26A	E1077-5009
LT222/351H-5-26	39m	N/A	26A	
LT300/252H-5-26	47m	31m	26A	E1079-5012
LT300/272H-5-26	N/A	33m	26A	
LT301/372H-5-26	N/A	50m	26A	
LT420/253H-5-36	83m	N/A	36A	
LT530/286H-5-26	N/A	64m	36A	

Cable size 7 G 1.5mm ²				
Type: PUR		Diameter: 13.3mm		Weight: 0.23kg/m
Drum Ref.	Payout Length		Sliprings	E type
	Horizontal	Vertical		
LT155/108-7-26	7m	7m	26A	E1075-5002
LT180/131-7-26	10m	10m	26A	E1076-5002
LT220/151-7-26	12m	12m	26A	E1077-5002
LT220/251H-7-26	20m	20m	26A	E1077-5010
LT221/251H-7-26	26m	24m	26A	E1078-5002
LT300/272H-7-26	35m	34m	26A	E1079-5022
LT222/351H-7-26	41m	N/A	26A	
LT300/252H-7-26	49m	24m	26A	E1079-5013
LT301/352H-7-26	73m	N/A	26A	
LT301/372H-7-26	N/A	41m	26A	
LT420/253H-7-36	80m	N/A	36A	
LT420/284H-7-36	N/A	49m	36A	
LT530/286H-7-36	N/A	63m	36A	

Cable size 12 G 1.5mm ²				
Type: PUR		Diameter: 16.9mm		Weight: 0.36kg/m
Drum Ref.	Payout Length		Sliprings	E type
	Horizontal	Vertical		
LT180/131-12-26	7m	7m	26A	E1076-5003
LT220/151-12-26	12m	12m	26A	E1077-5003
LT220/251H-12-26	22m	15m	26A	E1077-5011
LT221/251H-12-26	29m	15m	26A	E1078-5003
LT300/252-12-26	22m	22m	26A	E1079-5004
LT300/252H-12-26	32m	15m	26A	E1079-5014
LT301/352H-12-26	48m	N/A	26A	
LT300/262H-12-26	N/A	26m	26A	
LT301/372H-12-26	56m	N/A	26A	
LT420/283-12-36	N/A	32m	36A	
LT420/253-12-36	N/A	40m	36A	
LT420/283H-12-36	71m	N/A	36A	
LT420/253H-12-36	79m	N/A	36A	
LT421/253H-12-36	85m	N/A	36A	
LTA11530/525-12-36	N/A	50m	36A	
LTA1530/424-12-36	106m	N/A	36A	

Cable size 18 G 1.5mm ²				
Type: PUR		Diameter: 17.9mm		Weight: 0.47kg/m
Drum Ref.	Payout Length		Sliprings	E type
	Horizontal	Vertical		
LT220/151-18-26	12m	8m	26A	E1077-5004
LT221/251H-18-26	18m	12m	26A	E1078-5004
LT300/252-18-26	23m	23m	26A	E1079-5005
LT300/272H-18-26	29m	21m	26A	E1079-5024
LT420/153-18-36	40m	14m	36A	E1081-5009
LT420/283H-18-36	73m	14m	36A	E1081-5006
LT421/253H-18-36	87m	N/A	36A	
LT420/253-18-36	N/A	31m	36A	
LT530/285-18-36	N/A	34m	36A	
LTA11530/525-18-36	N/A	48m	36A	

Cable size 24 G 1.5mm ²				
Type: PUR		Diameter: 22.6mm		Weight: 0.59kg/m
Drum Ref.	Payout Length		Sliprings	E type
	Horizontal	Vertical		
LT300/152-24-36	14m	9m	36A	E1079-5000
LT300/252-24-26	24m	19m	36A	E1079-5006
LT420/253-24-36	41m	22m	36A	E1081-5011
LT421/253-24-36	45m	N/A	36A	
LT420/284-24-36	N/A	25m	36A	
LT530/286H-24-36	76m	N/A	36A	
LT530/286-24-36	N/A	32m	36A	
LTA11530/624-24-36	89m	N/A	36A	
LTA11530/625-24-36	N/A	45m	36A	

Cable size 30 G 1.5mm ²				
Type: PUR		Diameter: 22.6mm		Weight: 0.59kg/m
Drum Ref.	Payout Length		Sliprings	E type
	Horizontal	Vertical		
LT300/152-30-36	12m	8m	36A	E1079-5001
LT300/252-30-26	20m	16m	36A	E1079-5007
LT420/253-30-36	38m	20m	36A	E1081-5012
LT421/253-30-36	46m	N/A	36A	
LT421/284-30-36	N/A	25m	36A	
LT530/286-30-36	N/A	32m	36A	
LT530/286H-30-36	78m	N/A	36A	
LTA11530/624-30-36	91m	N/A	36A	

We reserve the right to amend all technical details without prior notification



Cable Reeling Drums

Spring Operated Cable Reeling Drums



Cable size 4 G 2.5mm ²				
Type: PUR	Diameter: 12.1mm		Weight: 0.21kg/m	
Drum Ref.	Payout Length		Sliprings	E type
	Horizontal	Vertical		
LT155/108-4-26	7m	7m	26A	E1075-5000
LT180/131-4-26	10m	10m	26A	E1076-5000
LT180/231H-4-26	18m	16m	26A	E1076-5005
LT220/251H-4-26	26m	26m	26A	E1076-5008
LT300/252H-4-26	46m	27m	26A	E1079-5011
LT301/352H-4-26	68m	N/A	26A	
LT300/372H-4-26	N/A	34m	26A	
LT301/372H-4-26	N/A	45m	26A	
LT420/253H-4-36	83m	N/A	36A	
LT530/285H-4-36	88m	N/A	36A	
LT530/286H-4-36	N/A	64m	36A	
LTA1530/324-4-36	102m	N/A	36A	

Cable size 5 G 2.5mm ²				
Type: PUR	Diameter: 12.8mm		Weight: 0.24kg/m	
Drum Ref.	Payout Length		Sliprings	E type
	Horizontal	Vertical		
LT155/108-5-26	7m	7m	26A	E1075-5001
LT180/131-5-26	11m	11m	26A	E1076-5001
LT180/231H-5-26	18m	14m	26A	E1076-5006
LT220/251H-5-26	26m	23m	26A	E1077-5009
LT300/252H-5-26	46m	23m	26A	E1079-5012
LT300/272H-5-26	N/A	34m	26A	
LT301/352H-5-26	69m	N/A	26A	
LT301/372H-5-26	N/A	39m	26A	
LT420/253H-5-36	80m	N/A	36A	
LT420/284H-5-36	N/A	49m	36A	

Cable size 7 G 2.5mm ²				
Type: PUR	Diameter: 14.0mm		Weight: 0.31kg/m	
Drum Ref.	Payout Length		Sliprings	E type
	Horizontal	Vertical		
LT180/131-7-26	10m	10m	26A	E1076-5002
LT220/151-7-26	12m	12m	26A	E1077-5002
LT220/251H-7-26	17m	17m	26A	E1077-5010
LT221/251H-7-26	26m	18m	26A	E1078-5002
LT300/272H-7-26	36m	30m	26A	E1079-5022
LT300/252H-7-26	47m	18m	26A	E1079-5013
LT301/352H-7-26	71m	N/A	26A	
LT420/253H-7-36	80m	N/A	36A	
LT420/253-7-36	N/A	39m	36A	
LT530/286H-7-36	N/A	47m	36A	

Cable size 12 G 2.5mm ²				
Type: PUR	Diameter: 20.2mm		Weight: 0.48kg/m	
Drum Ref.	Payout Length		Sliprings	E type
	Horizontal	Vertical		
LT220/151-12-26	10m	10m	26A	E1077-5003
LT221/251H-12-26	16m	12m	26A	E1078-5003
LT300/252-12-26	25m	23m	26A	E1079-5004
LT420/153-12-36	41m	15m	36A	E1081-5008
LT420/253-12-36	N/A	30m	36A	
LT421/253H-12-36	83m	N/A	36A	
LT530/285-12-36	N/A	33m	36A	
LTA11530/524-12-36	107m	N/A	36A	
LTA1530/425-12-36	N/A	40m	36A	
LTA11530/625-12-36	N/A	50m	36A	

Cable size 18 G 2.5mm ²				
Type: PUR	Diameter: 20.6mm		Weight: 0.68kg/m	
Drum Ref.	Payout Length		Sliprings	E type
	Horizontal	Vertical		
LT220/151-18-26	8m	8m	26A	E1077-5004
LT221/251H-18-26	15m	8m	26A	E1078-5004
LT300/252H-18-26	26m	8m	26A	E1079-5015
LT300/252-18-26	20m	18m	26A	E1079-5005
LT420/283-18-36	34m	20m	36A	E1081-5001
LT420/253H-18-36	45m	N/A	36A	
LT420/284-18-36	N/A	24m	36A	
LT530/286H-18-36	69m	N/A	36A	
LT530/286-18-36	N/A	32m	36A	
LTA1530/424-18-36	87m	N/A	36A	

Cable size 24 G 2.5mm ²				
Type: PUR	Diameter: 25.5mm		Weight: 0.82kg/m	
Drum Ref.	Payout Length		Sliprings	E type
	Horizontal	Vertical		
LT300/172-24-36	12m	11m	36A	E1079-5017
LT300/272-24-36	22m	22m	36A	E1079-5018
LT421/283-24-36	36m	N/A	36A	
LT421/253-24-36	43m	N/A	36A	
LT421/284-24-36	N/A	25m	36A	
LT530/286H-24-36	79m	N/A	36A	
LT530/286-24-36	N/A	33m	36A	

Cable size 30 G 2.5mm ²				
Type: PUR	Diameter: 28.7mm		Weight: 0.97kg/m	
Drum Ref.	Payout Length		Sliprings	E type
	Horizontal	Vertical		
LT420/183-30-36	8m	7m	36A	E1081-5000
LT420/283-30-36	20m	14m	36A	E1081-5003
LT421/253-30-36	33m	N/A	36A	
LT420/284-30-36	N/A	20m	36A	
LT421/284-30-36	N/A	26m	36A	
LT530/286-30-36	N/A	30m	36A	

Cable Reeling Drums

Spring Operated Cable Reeling Drums

Cable size 4 G 4mm ²				
Type: PUR		Diameter: 13.4mm		Weight: 0.28kg/m
Drum Ref.	Payout Length		Sliprings	E type
	Horizontal	Vertical		
LT180/131-4-40	10m	10m	40A	E1076-5004
LT220/151-4-40	12m	12m	40A	E1077-5005
LT221/251H-4-40	26m	20m	40A	E1078-5005
LT300/252H-4-40	47m	22m	40A	E1079-5016
LT300/272H-4-40	35m	34m	40A	E1079-5025
LT301/352H-4-40	73m	N/A	40A	
LT420/253H-4-42	81m	N/A	42A	
LT420/253-4-42	N/A	39m	42A	
LT420/284H-4-42	N/A	48m	42A	
LT530/286H-4-42	N/A	52m	42A	

Cable size 5 G 4mm ²				
Type: PUR		Diameter: 14.5mm		Weight: 0.32kg/m
Drum Ref.	Payout Length		Sliprings	E type
	Horizontal	Vertical		
LT180/231-5-40	9m	8m	40A	
LT220/151-5-40	12m	12m	40A	
LT220/251H-5-40	N/A	17m	40A	
LT221/251H-5-40	26m	N/A	40A	
LT222/351H-5-40	41m	N/A	40A	
LT300/252H-5-40	50m	N/A	40A	
LT300/272H-5-40	N/A	29m	40A	
LT301/352H-5-40	70m	N/A	40A	
LT420/253H-5-42	81m	N/A	42A	
LT420/253-5-42	N/A	39m	42A	
LT530/286H-5-42	N/A	45m	42A	

Cable size 4 G 6mm ²				
Type: PUR		Diameter: 14.5mm		Weight: 0.32kg/m
Drum Ref.	Payout Length		Sliprings	E type
	Horizontal	Vertical		
LT220/151-4-60	12m	12m	60A	E1077-5006
LT220/251-4-60	21m	15m	60A	E1077-5013
LT221/251H-4-60	26m	15m	60A	E1078-5006
LT300/272H-4-60	36m	25m	60A	E1079-5026
LT300/252H-4-60	50m	15m	60A	E1079-5021
LT420/283H-4-60	69m	18m	60A	E1081-5007
LT420/253H-4-60	82m	N/A	60A	
LT420/283-4-60	N/A	32m	60A	
LT420/253-4-60	N/A	39m	60A	

Cable size 5 G 6mm ²				
Type: PUR		Diameter: 17.5mm		Weight: 0.44kg/m
Drum Ref.	Payout Length		Sliprings	E type
	Horizontal	Vertical		
LT221/151-5-60	12m	N/A	60A	
LT220/251H-5-60	N/A	13m	60A	
LT300/272H-5-60	37m	N/A	60A	
LT300/252-5-60	N/A	22m	60A	
LT301/372H-5-60	55m	N/A	60A	
LT420/283H-5-60	71m	N/A	60A	
LT420/253H-5-60	84m	N/A	60A	
LT420/253-5-60	N/A	34m	60A	
LTA530/285-5-60	N/A	37m	60A	

Cable size 4 G 10mm ²				
Type: PUR		Diameter: 18.8mm		Weight: 0.61kg/m
Drum Ref.	Payout Length		Sliprings	E type
	Horizontal	Vertical		
LT220/251-4-60	13m	13m	60A	E1077-5007
LT221/251H-4-60	20m	9m	60A	E1078-5006
LT300/272H-4-60	29m	15m	60A	E1079-5026
LT420/253-4-60	40m	24m	60A	E1081-5013
LT420/284H-4-60	45m	N/A	60A	
LT530/286H-4-60	68m	N/A	60A	
LT530/286-4-60	N/A	32m	60A	
LTA1530/424-4-60	85m	N/A	60A	

Cable size 4 G 16mm ²				
Type: PUR		Diameter: 23.4mm		Weight: 0.92kg/m
Drum Ref.	Payout Length		Sliprings	E type
	Horizontal	Vertical		
LT300/152-4-125	14m	6m	125A	E1079-5002
LT300/252-4-125	20m	12m	125A	E1079-5010
LT300/272-4-125	18m	18m	125A	E1079-5020
LT420/283-4-150	25m	14m	150A	E1081-5005
LT421/283-4-150	35m	N/A	150A	
LT421/253-4-150	42m	N/A	150A	
LT420/284-4-150	N/A	25m	150A	
LT530/286-4-150	N/A	31m	150A	

Cable size 4 G 25mm ²				
Type: PUR		Diameter: 27.1mm		Weight: 1.27kg/m
Drum Ref.	Payout Length		Sliprings	E type
	Horizontal	Vertical		
LT420/283-4-150	15m	10m	150A	
LT420/184-4-150	20m	N/A	150A	
LT421/283-4-150	33m	N/A	150A	
LT530/285-4-150	42m	N/A	150A	
LT530/286-4-150	N/A	23m	150A	
LTA1530/424-4-150	80m	N/A	150A	
LTA11530/625-4-150	N/A	25m	150A	

Cable Reeling Drums

Spring Operated Cable Reeling Drums



Type LT Dimensions (mm)

Drum Type	Dia. d	Dia. D	a	b	Dia. e	Dia. f	Dia. fl	Dia. g	Dia. h	Dia. i	j1	k
LT155	155	260	101	110	35	155	-	65	85	4 x 9 mm	-	10
LT180	180	300	109	130	35	180	-	65	85	4 x 9 mm	-	10
LT220	220	400	114	120	35	220	-	100	130	4 x 13 mm	6	12
LT221	220	450	129	150	35	220	-	100	130	4 x 13 mm	6	12
LT222	220	450	139	170	35	220	-	100	130	4 x 13 mm	6	12
LT300	300	550	165	190	50	300	-	100	135	4 x 13 mm	5	20
LT301	300	550	213	285	50	300	-	100	135	4 x 13 mm	5	20
LT420	420	680	200	240	60	420	300	135	178	4 x 17 mm	5	20
LT421	420	770	200	240	60	420	300	175	215	4 x 17 mm	5	20
LT530	530	900	260	310	70	420	300	185	250	4 x 18 mm	15	23

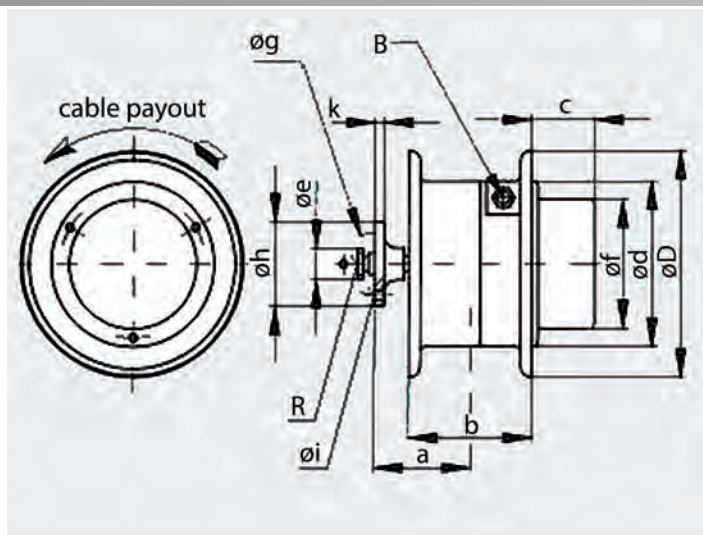
Slipping Cover Dimension C in mm based on number of poles (sliprings)

Drum Type	3P+E 26A	3P+E 36A	3P+E 40A	3P+E 42A	3P+E 60A	3P+E 125A	3P+E 150A	3P+E 220A	4P+E 26A	4P+E 36A	4P+E 40A	4P+E 42A	4P+E 60A	6P+E 26A	6P+E 36A
LT155	60	-	60	-	-	-	-	-	60	-	90	-	-	100	-
LT180	90	-	90	-	-	-	-	-	90	-	90	-	-	100	-
LT220	50	100	50	100	100	-	-	-	75	75	75	75	100	100	100
LT221	50	75	50	75	75	-	-	-	50	75	50	75	100	75	75
LT222	50	35	50	35	35	-	-	-	60	60	60	-	85	75	75
LT300	80	80	80	80	80	120	-	-	80	80	80	80	80	80	80
LT301	80	80	80	80	80	80	-	-	80	80	80	80	80	80	80
LT420	-	85	85	-	85	-	85	-	-	85	-	85	85	-	85
LT421	-	85	-	85	85	-	85	-	-	85	-	85	85	-	85
LT530	-	85	-	85	85	-	85	85	-	85	-	85	85	-	85

Slipping Cover Dimension C in mm based on number of poles (sliprings)

Drum Type	11P+E 26A	11P+E 36A	17P+E 36A	23P+E 36A	29P+E 36A
LT155	150	-	-	-	-
LT180	150	-	-	-	-
LT220	150	200	250	350	-
LT221	130	130	200	350	-
LT222	130	130	200	350	350
LT300	150	150	200	320	400
LT301	120	12	200	320	400
LT420	-	155	235(1)	355(1)	435(1)
LT421	-	155	235(1)	355(1)	435(1)
LT530	-	85	155	355(1)	355(1)

(1) = see Dia. fl



Cable Reeling Drums

Spring Operated Cable Reeling Drums

Type LTA Dimensions (mm)

Drum Type	Dia. d	Dia. D	a	b	e	Dia. f	Dia. f1	g	h	c	k
LTA1530	530	900	260	310	241	420	300	500	290	315	358
LTA11530	530	900	390	310	241	420	300	500	290	445	488
LTA11700	700	1200	390	350	255	420	300	500	290	445	488

Slipping Cover Dimension I in mm based on number of poles (sliprings)

Drum Type	3P+E 36A	3P+E 40A	3P+E 60A	3P+E 150A	3P+E 220A	4P+E 36A	4P+E 42A	4P+E 60A	6P+E 36A	11P+E 36A	17P+E 36A	23P+E 36A	29P+E 36A
LTA1530	-	-	-	-	-	-	-	-	-	-	90	160	260(1)
LTA11530	-	-	-	-	-	-	-	-	-	-	90	160	260(1)
LTA11700	-	-	-	-	-	-	-	-	-	-	25(1)	155(1)	255(1)

(1) = see Dia. f1

