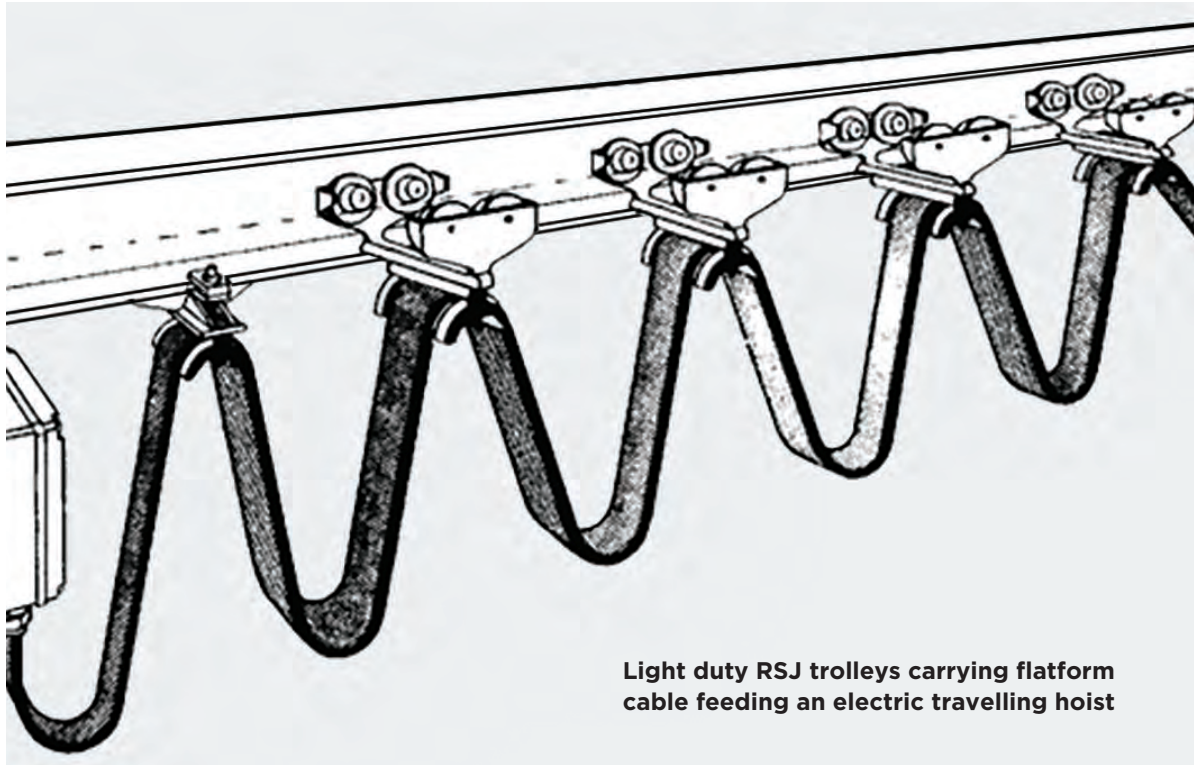


## Light Duty RSJ Festoon Systems Cable & Hose Carrying Systems

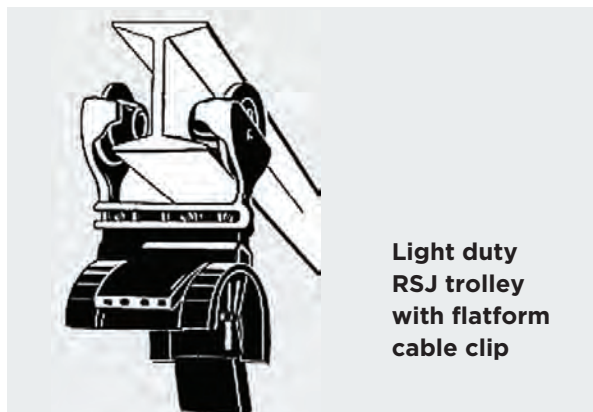
### Application

Light duty RSJ trolleys are intended for running along the bottom flange of the same beam as the hoist, making installation fast and easy.

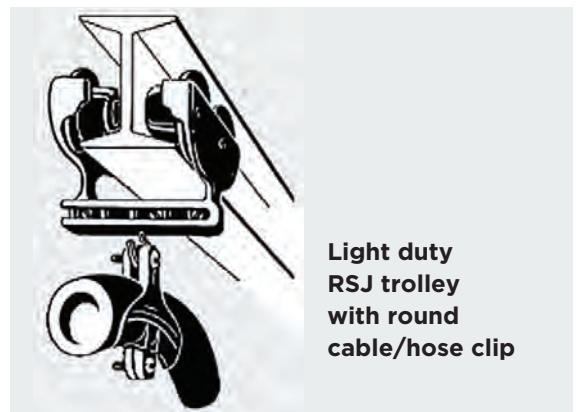
Trolleys are available for carrying platform cable and round cable/hose. Trolley capacities range from 15kg up to 60kg.



Light duty RSJ trolleys carrying platform cable feeding an electric travelling hoist



Light duty RSJ trolley with flat cable clip



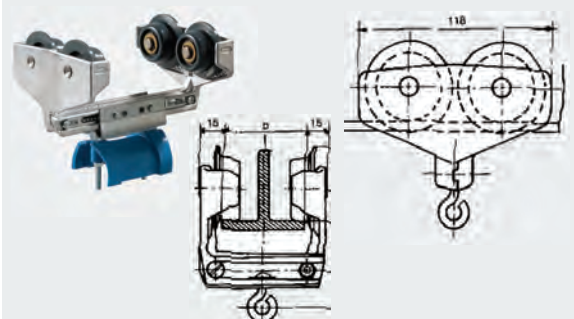
Light duty RSJ trolley with round cable/hose clip

# Light Duty RSJ Festoon Systems

## Cable & Hose Carrying Systems

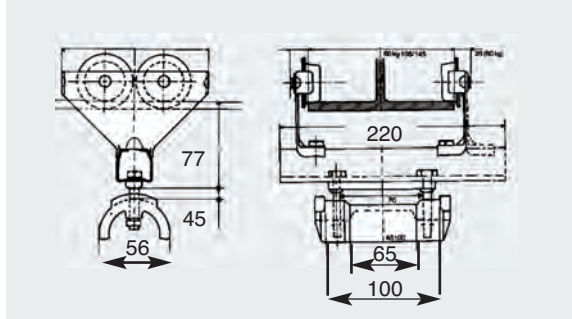
### Intermediate Trolleys

Part Code	RSJ Flange	Capacity
25/20-23	48 - 88mm	20kg
25/30-23	48 - 140mm	25kg



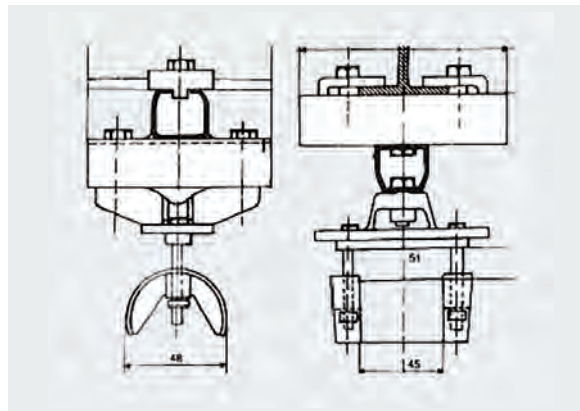
### Adjustable Trolleys for Flat Cables

Part Code	RSJ Flange	Capacity
30/132-65100	50 - 135mm	30kg
60/132-100100	50 - 91mm	60kg



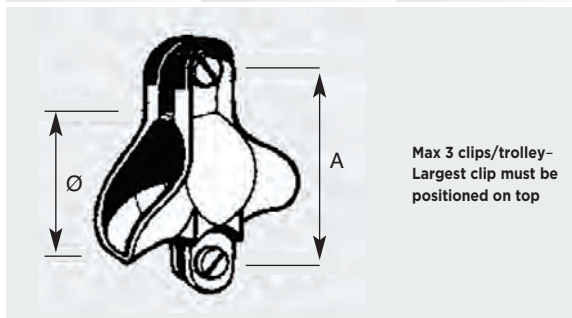
### End Anchors

Part Code	RSJ Flange	Capacity
2110-140-23	48 - 140mm	25kg
30/200-65100	50 - 135mm	30kg
60/200-100100	50 - 91mm	60kg



### Round Cable/Hose Clips

Part Code	Cable diameter	Dim. A
15.0608	6-8mm	33mm
15.1014	10-14mm	33mm
15.1519	15-19mm	38mm
18.2024	20-24mm	43mm
18.2529	25-29mm	51mm
18.3034	30-34mm	56mm
18.3539	35-39mm	62mm



### Flat Cable Clips

Part Code	Code	Radius
7528/4263	51 x 30mm	24mm
7528/7544	75 x 30mm	40mm

