

**FELS MOBILIS 'MOVIT'
Mono - Pole Conductor System
For Overhead Cranes & Moving
Machinery**

**Mobilis MOVIT**

Available in Intensities of 315A,
450A & 630A

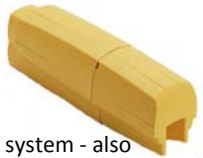
TYPICAL APPLICATIONS

- ◆ LARGE OVERHEAD CRANES
- ◆ PEOPLE MOVERS
- ◆ FAIRGROUND RIDES
- ◆ CONVEYORS
- ◆ GENERAL PLANT & MACHINERY

Mobilis 'Movit' Single Pole Conductor System
315 Amp / 450 Amp / 630 Amp

- ◆ Slide / Clip on Hangers & Joint covers for Fast, Easy Installation
- ◆ Rigid Construction ensures **TRUE** IP23 finger - tight profile
- ◆ Aluminium conductors with Stainless Steel insert for improved conductivity
- ◆ Compact profile with rail crs. of only 50mm saves space & minimises volt drop
- ◆ Removeable Carbons for Easy, Low cost Maintenance
- ◆ High speed collector travel up to 600 m/min
- ◆ Suitable for Indoor or Outdoor installation

Standard Features



End Cap.
 Insulates end of system - also doubles as a transfer element




Fixing Clamp.
 Placed either side of a clip on hangar to create a fixed suspension



Clip-on Hangers.
 Self aligning, clip on hangers ensure fast, easy installation



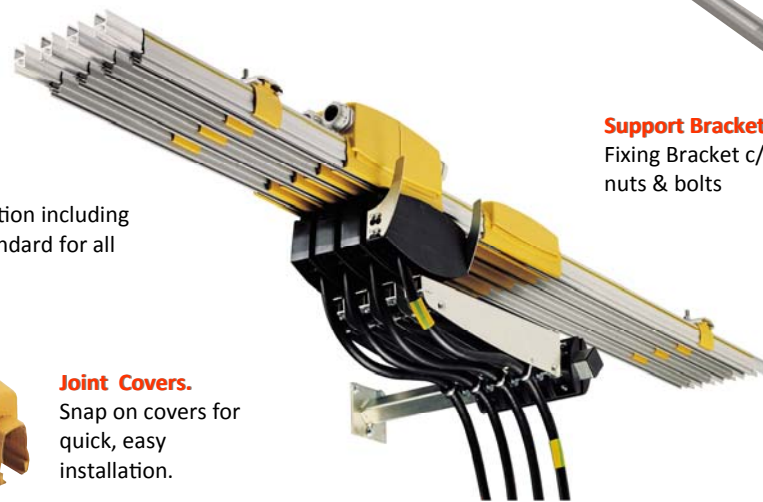
Connection Clamp.
 For every joint position including the feed point - standard for all intensities



Support Brackets.
 Fixing Bracket c/w girder clips, nuts & bolts



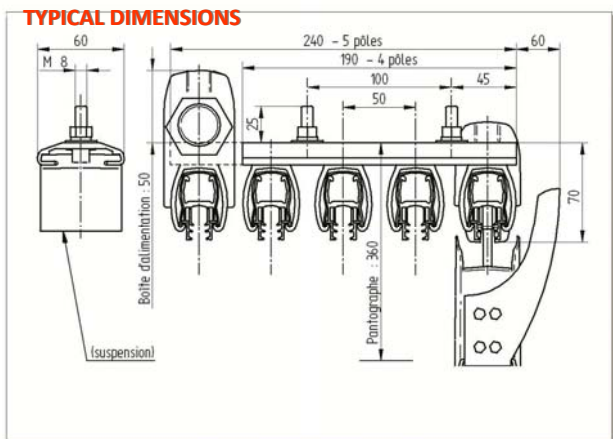
Joint Covers.
 Snap on covers for quick, easy installation.




Collector Trolleys.
 Available as 200Amp (Single) & 400 Amp (Double) trolley format.



Line Feed Box.
 Can be positioned at any joint position




Expansion Joints.
 Required for system lengths > 200m - assembled in the system in place of a standard 4 meter bar.