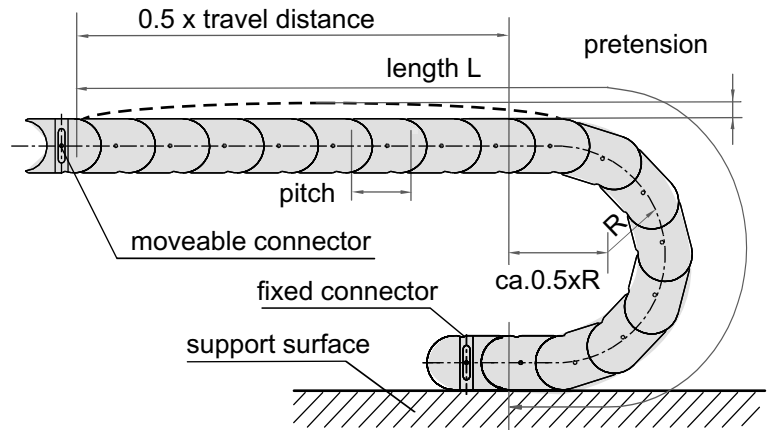
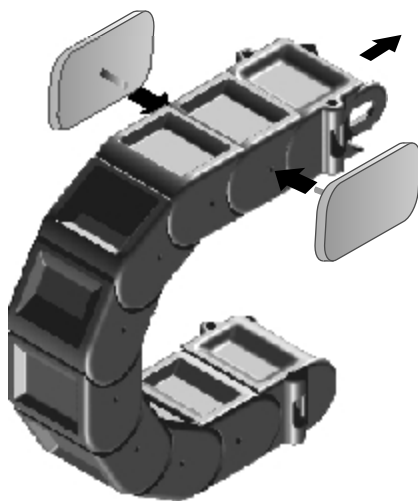


pretension: 25mm/m
PFR 322: 20mm/m
PFR 323: 20mm/m



PFR	Radius	pitch	a	b	c	d	g	h	i	k	k _N	p	p _N	w	weight kg/m
121	75 / 100	35	23	23	35	35	0	5	9	5,5	61	25	61	20	0,7
122	75 / 100	35	23	38	35	50	20	5	9	5,5	56	25	61	20	1,2
123	75 / 100	35	23	30	35	75	45	5	9	5,5	56	25	61	20	1,5
221	100 / 200	50	34	36	50	50	20	6	11,5	4,5	56	40	76	25	1,6
222	100 / 200	50	34	86	50	100	70	6	11,5	4,5	56	40	76	25	2,1
223	100 / 200	50	34	66	50	150	120	6	11,5	4,5	56	40	76	25	2,8
322	150 / 300	65	57	134	75	150	120	8	15	3,5	56	65	101	35	3,2
323	150 / 300	65	57	103	75	225	195	8	15	3,5	56	65	101	35	4,6



PFR disassembly

The thorns (3 x 12mm) of the dismantling tools are put apart at the side, the dismantling tools are pressed together and the links are pulled from each other.

Example: travel distance 3 m, bend radius 200 mm, plastic end connectors, configuration hanging

PFR 222 / 200	x	2300	/ KK	"h"
---------------	---	------	------	-----

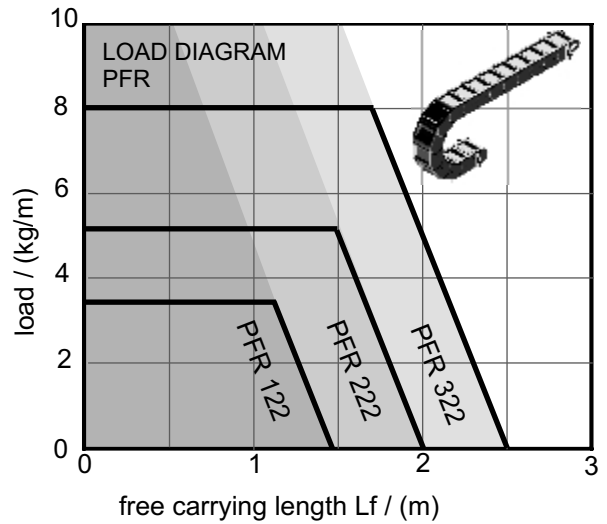
type / radius x length / connectors arrangement

PFR Characteristics

The PFR offers very good line protection against damages, pollutions and shaving or like that by the closed design.

PFR 123, 223 and 323 leads the lines in two separate chambers.

PFR with a metallized surface is an ekd speciality which mainly is used in applications with hot shaving or spark flight.



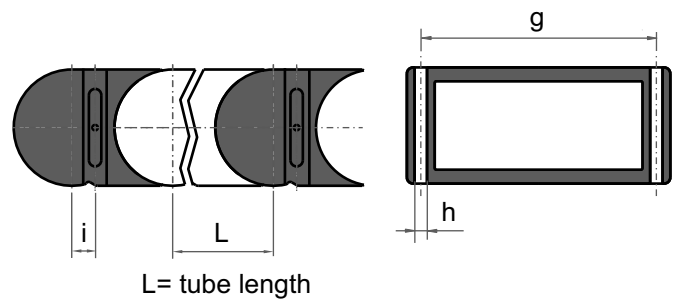
PFR plastic end connector

The plastic end connector (K) can be installed in every arbitrary position of the tube, so a part of the tube can serve as a fixed line.

Example: plastic end connector at both ends

PFR 121	/ 75	x	1505	/ K K
---------	------	---	------	-------

type / radius x length / connectors



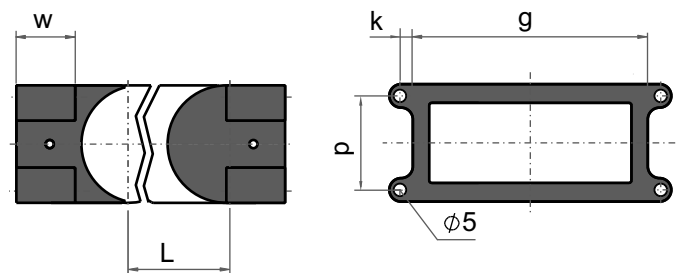
PFR front flange connector

The front flange connector (SFA) is used at assembly in front of head of the machine. A combination of front flange connector and plastic end connector is possible.

Example: plastic end connector and front flange connector

PFR 121	/ 75	x	1505	/ K SFA
---------	------	---	------	---------

type / radius x length / connectors



Steel connector

(Steel connectors only on request)

Example: connector N and connector A

PFR 121	/ 75	x	1505	/ NA
---------	------	---	------	------

type / radius x length / connectors

