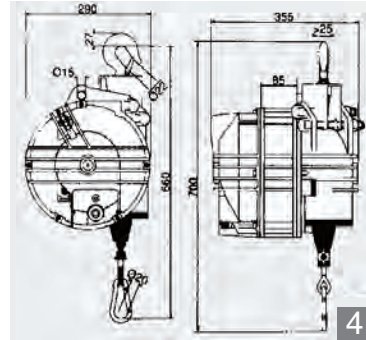


Spring Balancers – 4.0–25kg (2000mm Stroke) – 10–105kg (2000 stroke)

SIMBAL Tool Balancers

Features

- Taper drum on ball bearings
- Inert spring drum assembly for easy replacement
- Adjustable capacity
- Precision guided cable winding avoiding entanglement & jamming
- Adjustable stroke limiting device
- Rotary safety hook top & bottom
- Auxiliary safety cable
- Stainless steel cable
- Anti-friction cable guide
- Safety device prevents the load from dropping in the event of spring failure
- Ribbed, sealed mono block construction for optimum safety and strength

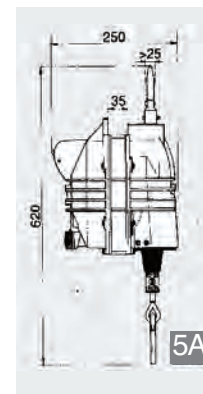
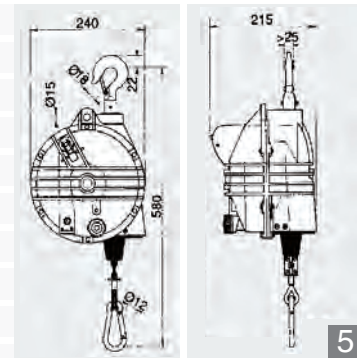


Item Code	Capacity (kg)	Weight (kg)
9354	4.0 – 7.0	5.0
9355	7.0 – 10.0	5.5
9356	10.0 – 14.0	5.5
9357	14.0 – 18.0	6.5
9358	18.0 – 22.0	6.5
9359	22.0 – 25.0	6.5



Features

- Taper drum on ball bearings
- Inert spring drum assembly for easy replacement
- Adjustable capacity
- Precision guided cable winding avoiding entanglement & jamming
- Adjustable stroke limiting device
- Rotary safety hook top & bottom
- Auxiliary safety cable
- Stainless steel cable
- Anti-friction cable guide
- Safety device prevents the load from dropping in the event of spring failure
- Ribbed, sealed mono block construction for optimum safety and strength
- Optional – Locking device for floor control (Type B)
- Optional – Load hook with ball bearing swivel (Type R)



Item Code	Capacity (kg)	Weight (kg)	Drg
9361	10.0 – 15.0	10.3	5
9362	15.0 – 20.0	10.3	5
9363	20.0 – 25.0	11.2	5
9364	25.0 – 30.0	11.5	5
9365	30.0 – 35.0	11.8	5
9366	35.0 – 45.0	12.4	5

Item Code	Capacity (kg)	Weight (kg)	Drg
9367	45.0 – 55.0	12.5	5
9368	55.0 – 65.0	13.6	5
9369	65.0 – 75.0	14.5	5
9370	75.0 – 90.0	17.3	5A
9371	90.0 – 105.0	18.0	5A

We reserve the right to amend all technical details without prior notification

