

Limit switches

FCR - FGR Series

Table of contents



TECHNO-LIFTING EQUIPMENT



Rotary control switches with 300 mm rods from 3 up to 5 positions.
Control switches with rotary gear from 12 up to 200 rpm with 4 or 6 micro switches.

Table of contents

FCR Series rotary limit switches
for control circuits

pag. 34

■ FGR Series rotary gear limit switch
for control circuit

pag. 36

Rotary limit switches




FCR Series for control circuits

IP65 □

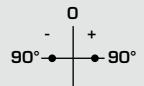
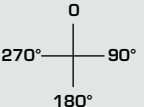
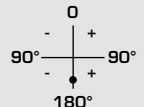
GENERAL CHARACTERISTICS

- According to IEC/EN 60947-3
- Self extinguishing thermoplastic housing VO UL 94
- IP65 Double insulation IEC/EN60529
- Prepared with aluminum rods □6x300 mm with indicator position "0"
- n°1 Cable entry Ø 22,5
- Ambient temperature : operating -25° +55° C
storage -30° +70° C

ELECTRICAL CHARACTERISTICS

- According to IEC/EN60947-3, UL508
- Certifications:   
- Rated insulation voltage U_i 690V
- Rated thermal current I_{the} 16A
- Frequency 50/60 Hz
- Rated thermal current: AC-21A - AC-22A 690V-16A
AC23A - 3x3 230V-13A/4kW
400V-13A/7,5kW
- Rated short circuit withstand current (gG 20A-690V) 5kA



POSITION	DESCRIPTION	CODE	N° DIAGRAM
FOR SINGLE SPEED MOTOR CONTROL			
	3 Positions with mechanical interlock	FCR001	1
	3 Positions with mechanical interlock	FCR002	2
	4 Positions - Rotary	FCR003	3
	4 Positions - Rotary	FCR004	4
	4 Positions - Rotary	FCR005	5
FOR TWO SPEEDS MOTOR CONTROL			
	5 Positions with mechanical interlock	FCR006	6

Rotary limit switches

FCR Series for control circuits

IP65 

TECHNO-LIFTING EQUIPMENT

SCHEMS

DIAGRAM 1

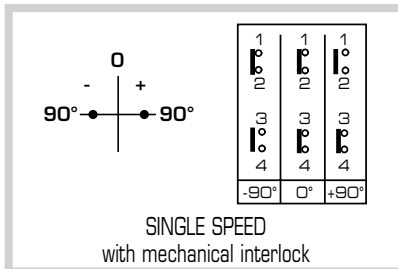


DIAGRAM 2

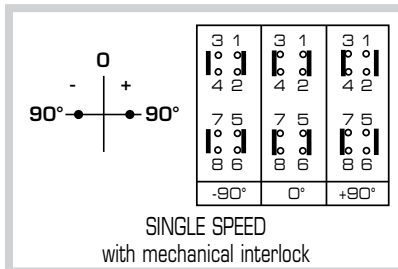


DIAGRAM 3

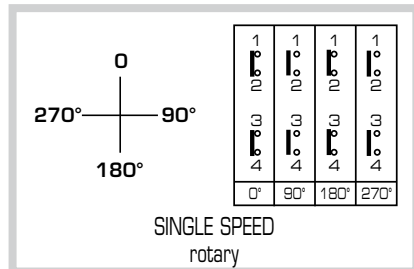


DIAGRAM 4

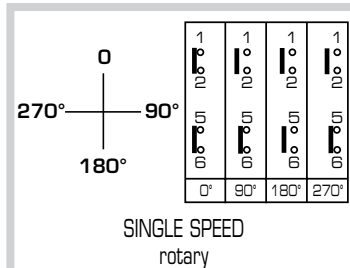


DIAGRAM 5

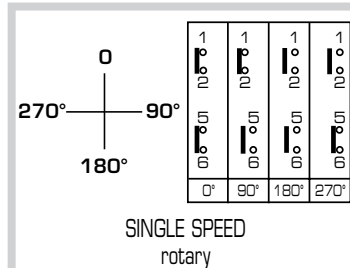
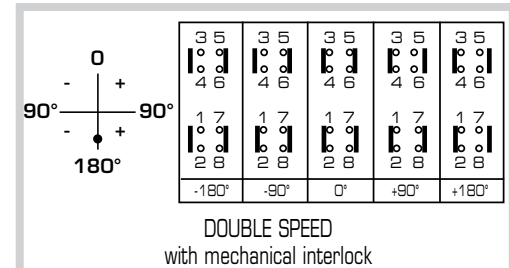
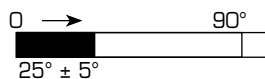


DIAGRAM 6



ANGULAR TRIPPING CONTACTS

CONTACT BLOCK NORMAL CLOSED



CONTACT BLOCK NORMAL OPEN

