

# Limit switches

## FCR - FGR Series

Table of contents



TECHNO-LIFTING EQUIPMENT



Rotary control switches with 300 mm rods from 3 up to 5 positions.  
Control switches with rotary gear from 12 up to 200 rpm with 4 or 6 micro switches.

### Table of contents

FCR Series rotary limit switches  
for control circuits

pag. 34



FGR Series rotary gear limit switch  
for control circuit

pag. 36

# Rotary gear limit switches

## FGR Series for control circuit

### IP65

#### GENERAL CHARACTERISTICS


The series is directed towards control of turns of the rotating drums which wrap cables, machinery etc... Equipped with adjustable "micro" means a registry screw, lives independently on each one of the cam. Operating operating microswitches, permits, using a screwdriver, calibration of the race and then opening or closing of contacts according to functional needs. Available in two versions based FGR, standard FGR ... B shaft coaxial to use encoder.

#### GENERAL CHARACTERISTICS

- Certifications
- Housing with cast aluminum body with lid thermopolymer extinguishing VO UL 94
- Protection rating according IP65 IEC/EN 60529
- Drive shaft with steel worm plated mounted on ball bearings
- Cams and micrometric adjustment screws in PA
- Maximum number of operating contacts n.6 (6 cams)
- n. 2 Cable entries with M20 cable glands
- Operating temperature:
 

in use	-25°C + 70°C
storage	-30°C + 70°C

#### ELECTRICAL CHARACTERISTICS

- Comply with IEC/EN 61058-1, UL 1054
- Certifications: 
- Contact blocks  $\mu$  1 NC + 1NO changeover switch (C format) snap action contacts with positive opening NO contact  $\rightarrow$
- Self cleaning silver alloy contacts 0,8 x 6,3 mm
- Rated insulation voltage  $U_i$  250V
- Rated thermal current  $I_{th}$  8A
- Rated operating current:
 

resistive load	8A - 250V ac
inductive load	3A - 250V ac
- IEC/EN 61058-1 8(3)A-250V ac, UL 1054 8A - 250Vac

#### FGR - STANDARD VERSION



N° TOURS CAM/MOTORSHAFT REV RATIO	CODE		WEIGHT gr	MIN. PACK QTY.
	with 4 macro switches	with 6 macro switches		
1/12	FGR2006	FGR20066	1.100	1
1/33	FGR2007	FGR20076	1.100	1
1/50	FGR2008	FGR20086	1.100	1
1/100	FGR2009	FGR20096	1.100	1
1/200	FGR2010	FGR20106	1.100	1

# Rotary gear limit switches

## FGR Series for control circuit

IP65

TECHNO-LIFTING EQUIPMENT

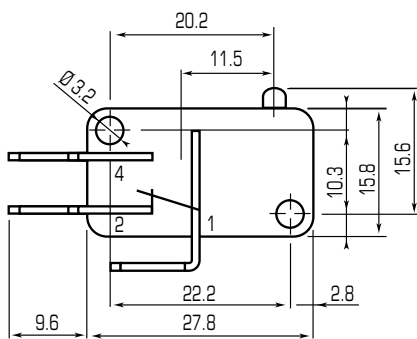
### FGR.B. - COAXIAL SHAFT VERSION



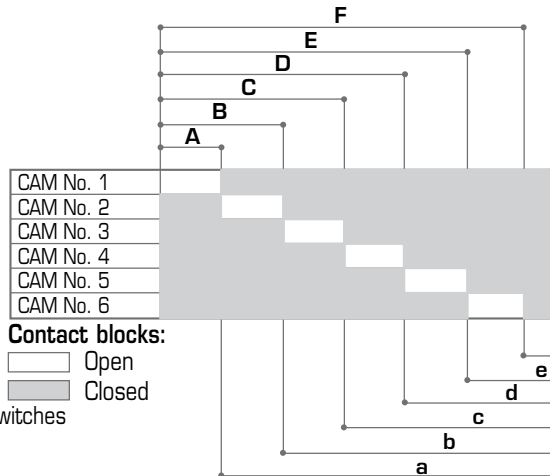
N° TOURS CAM/MOTORSHAFT REV RATIO	CODE		WEIGHT gr	MIN. PACK QTY.
	with 4 macro switches	with 6 macro switches		
1/12	FGR2006B	FGR2006B6	1.200	1
1/33	FGR2007B	FGR2007B6	1.200	1
1/50	FGR2008B	FGR2008B6	1.200	1
1/100	FGR2009B	FGR2009B6	1.200	1
1/200	FGR2010B	FGR2010B6	1.200	1

### REVOLUTIONS REFERRED TO THE CAM'S ACTIVATION

#### MICRO SWITCH SCHEME



The trip refer to the action of the cam on contact 1-2 (NC)



Note: All micro switches have changeover contacts.

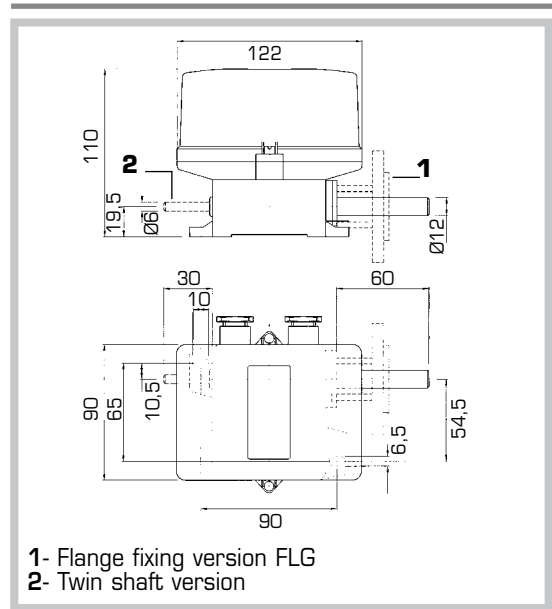
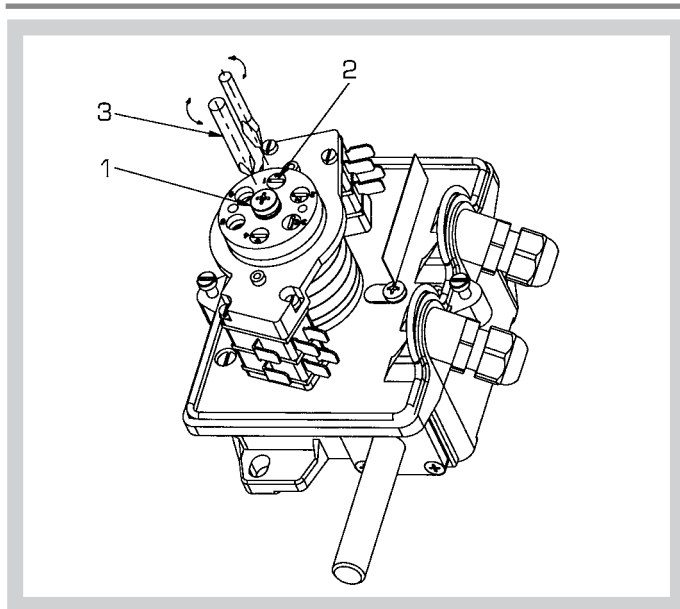
No ROUND MINUTES	REVOLUTIONS REFERRED TO THE CAM'S ACTIVATION											
	A	a	B	b	C	c	D	d	E	e	F	f
12 rounds	1,25	10,75	2,5	9,5	3,75	8,25	5	7	6,25	5,75	7,5	4,5
33 rounds	3,5	29,5	7	26	10,5	22,5	14	19	17,5	15,5	21	13
50 rounds	5	45	10	40	15	35	20	30	25	25	30	20
100 rounds	10	90	20	80	30	70	40	60	50	50	60	40
200 rounds	20	180	40	160	60	140	80	120	100	100	120	80

# Rotary gear limit switches

## FGR Series for control circuit

IP65

### DIMENSIONS



### ACCESSORIES

#### MICRO-SWITCH

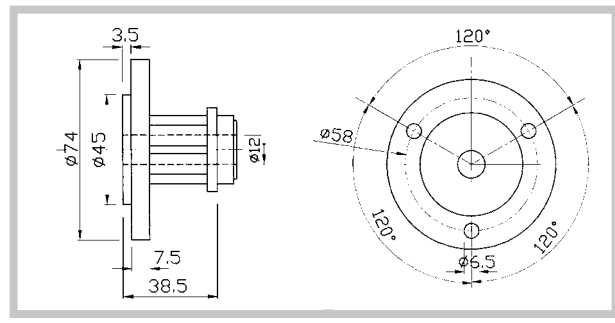


MFI

#### FLANGE



FLG



#### OLDHAM COUPLING



FGH

