

Medium Duty Industrial Cable Reels

230V Single phase Cable Reels

SIMBAL 230V Single phase cable reels are the ideal solution for a wide range of standard applications. These drums come as an integral unit with pre-fitted cable and a swiveling wall mounting bracket. They are available with cable sections up to 3 core x 2.5mm² and with various payout lengths, for exact specifications please see data on the facing page.

Features:

- Shock resistant plastic external case (Die cast aluminium on series 6000 drums)
- Cable roller guide
- Ratchet stop every 50mm (easily disconnected if not required)
- Double earth contact
- Collector insulating power - 2.5Kv
- Brass slings & brushes
- IP42 Protection (IP65 available on some models)
- Working temperature -5 / +40 deg C
- Available with both PVC & Rubber cable



Possible applications

Typical fields of application for our single phase cable reels include garage applications, feed cables to ancillary equipment on stacker trucks and mobile cranes together with a wide range of industrial and domestic workshop applications.

Other reels in the range include 400V 3 phase reels, multicore cable reels and a wide variety of reels for special applications such as earthing reels, battery charging and electric vehicle charging. For further information please call our sales team on 01298 813883, email sales@simbal.net or visit our website at www.simbal.net

Optional extras

Standard options which can be fitted to SIMBAL single phase cable reels include rubber cables, IP65 protection seals & fixing bolts to restrict the swivel action of fixing bracket. A range of cable roller guides is also available to compliment the full range of drums.

Technical Data

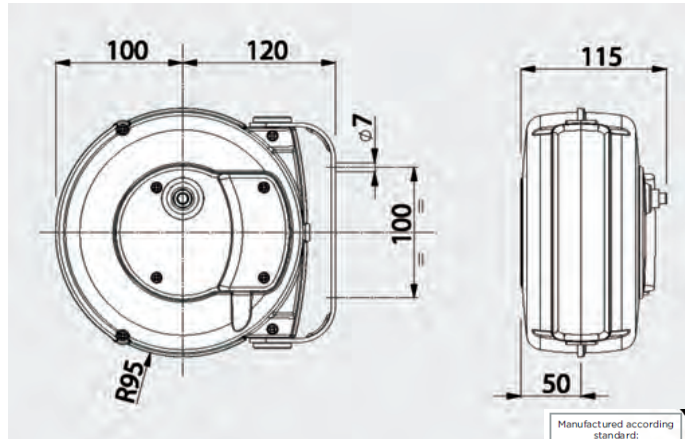
Please see the following sheets for technical and dimensional data

Medium Duty Industrial Cable Reels

230V Single phase Cable Reels

Technical Data												
		Cable size	Cable payout	Cable diameter	V	Max power @ 20 deg C			Slip rings		Cable type	Case colour
2 core cable												
9001		2c x 1.0mm ²	7 + 1m	6.5mm	230V	1000W	230V	1600W	10A		H05VV-F	Black
5831/XF	5893/XL	2c x 1.0mm ²	14 + 1.5m	6.5mm	230V	900W	230V	1400W	10A		H05VVF	Yellow
9002		2c x 1.5mm ²	5 + 1m	7.5mm	230V	1300W	230V	1800W	10A		H05VV-F	Black
5830/XF	5892/XL	2c x 1.5mm ²	11 + 1.5m	7.5mm	230V	1100W	230V	1600W	10A		H05VV-F	Yellow
5829/XF	5891/XL	2c x 2.5mm ²	8.5 + 1.5m	9.5mm	230V	1750W	230V	2300W	10A		H05VV-F	Yellow
5833/XF	5895/XL	2c x 2.5mm ²	8.5 + 1.5m	9.5mm	230V	1750W	230V	2300W	20A		H05VV-F	Yellow
6191/PRC	6382/PRL	2c x 1.5mm ²	24 + 2m	7.5mm	230V	1100W	230V	1800W	10A		H05VV-F	Silver
6190/PRC	6381/PRL	2c x 2.5mm ²	21 + 2m	9.5mm	230V	1800W	230V	2500W	20A		H05VV-F	Silver
3 core cable												
9003		3c x 1.0mm ²	6 + 1m	6.5mm	230V	1100W	230V	1600W	10A		H05VV-F	Black
5828/XF	5890/XL	3c x 1.0mm ²	14 + 1.5m	7mm	230V	900W	230V	1400W	10A		H05VV-F	Yellow
9004		3c x 1.5mm ²	5 + 1m	7.5mm	230V	1400W	230V	1900W	10A		H05VV-F	Black
5827/XF	5889/XL	3c x 1.5mm ²	11 + 1.5m	8.5mm	230V	1200W	230V	1800W	10A		H05VV-F	Yellow
4315		3c x 1.5mm ²	14 + 1m	7.5mm	230V	1200W	230V	1800W	10A		H05VV-F	Yellow
7315		3c x 1.5mm ²	25 + 2m	7.5mm	230V	1100W	230V	1800W	10A		H05VV-F	Grey
5825/XF	5888/XL	3c x 2.5mm ²	8.5 + 1.5m	10mm	230V	1850W	230V	2500W	10A		H05VV-F	Yellow
5826/XF	5880/XL	3c x 2.5mm ²	8.5 + 1.5m	10mm	230V	1850W	230V	2500W	20A		H05VV-F	Yellow
4325		3c x 2.5mm ²	9 + 1m	10mm	230V	1900W	230V	2500W	10A		H05VV-F	Yellow
6187/PRC	6378/PRL	3c x 1.0mm ²	24 + 2m	7mm	230V	1000W	230V	1700W	10A		H05VV-F	Silver
6186/PRC	6377/PRL	3c x 1.5mm ²	24 + 2m	8.5mm	230V	1100W	230V	1800W	10A		H05VV-F	Silver
6185/PRC	6376/PRL	3c x 2.5mm ²	15 + 2m	10mm	230V	2000W	230V	3000W	20A		H05VV-F	Silver

Series 9000

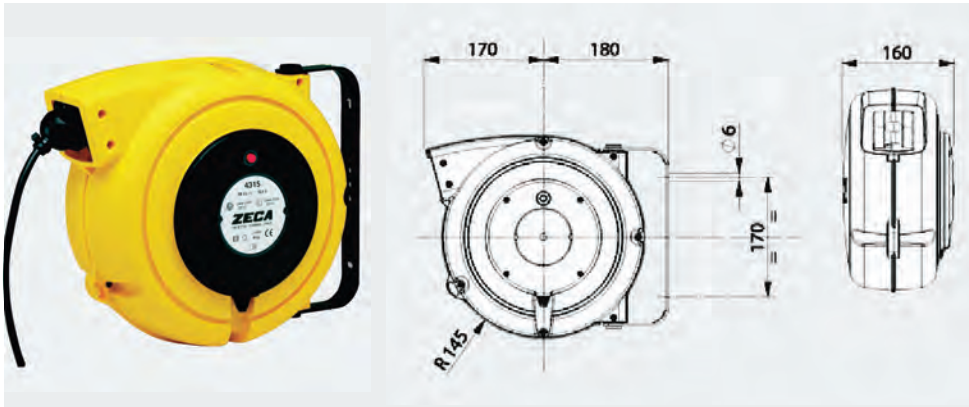





Manufactured according to standard: Construit selon norme: EN 61242 EN 60335-1		100
CE		mm 240 x 195 x 120 Kg 3.0
These products comply with Directives: Produits conformes aux Directives: 2006/95/CE 2006/42/CE 2002/95/CE		

Medium Duty Industrial Cable Reels

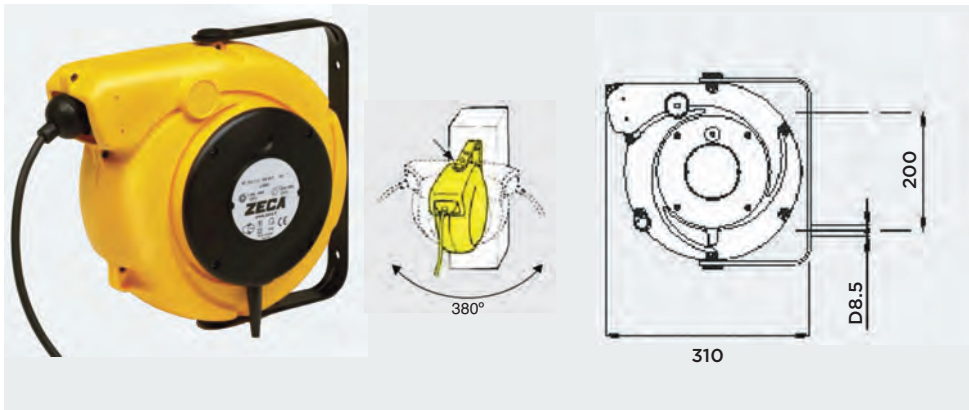
230V Single phase Cable Reels



Series 4000



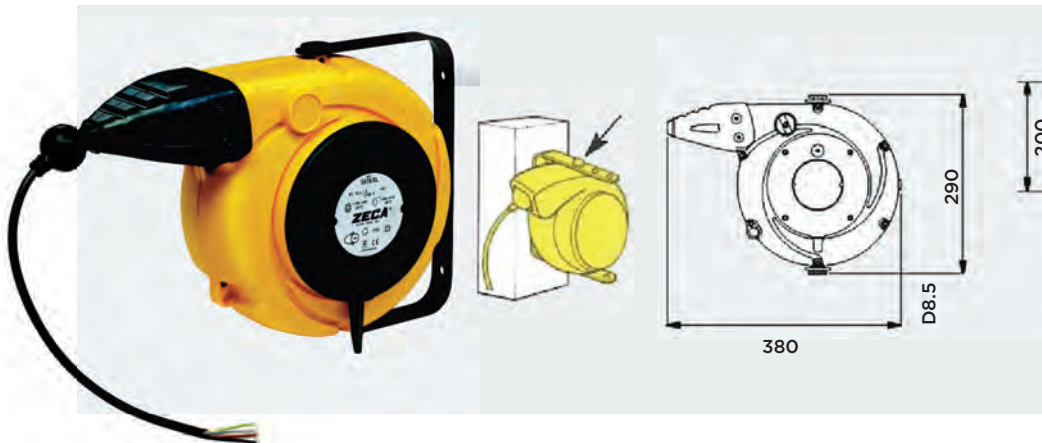
Manufactured according to standard: Construit selon norme: EN 61242 EN 60335-1	
	
These products comply with Directives: Produits conformes aux Directives: 2006/95/CE 2006/42/CE 2002/95/CE	
	44
	mm335x310 x185 Kg 5



Series 5000/XF



	
60	
	mm300x 295x155 Kg 3.5

Series 5000/XL



	
60	
	mm410x305 x185 Kg 4.0


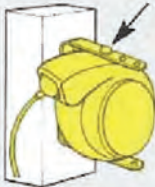
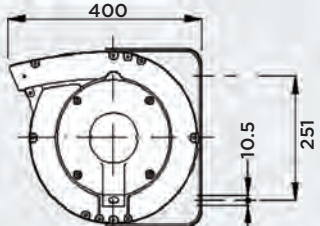
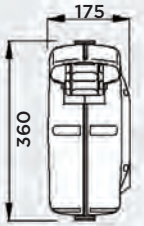
We reserve the right to amend all technical details without prior notification







Medium Duty Industrial Cable Reels



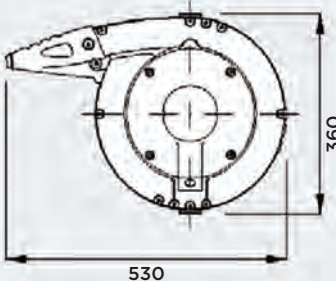
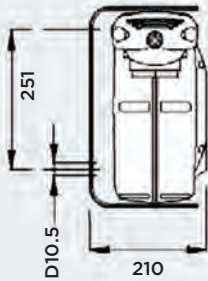
230V Single phase Cable Reels

Series 6000/PRC

1-10 CONDUCTORS		12-16 CONDUCTORS	
	30		24
	mm 400x370 x190 Kg 13		mm 400x390 x290 Kg 13

Series 6000/PRL

380°

530


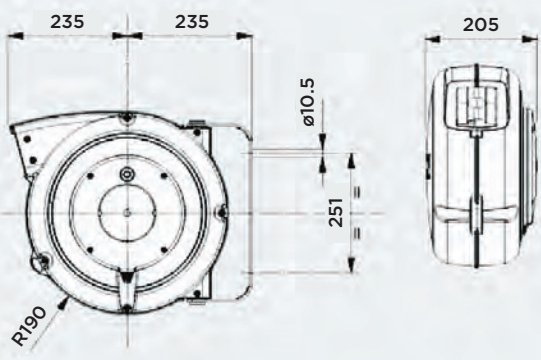
360

251

D10.5

210

Series 7000

235





235

205

ø10.5

251

R190

Manufactured according to standard: Construit selon norme: EN 61242 EN 60335-1	
 	
These products comply with Directives: Produits conformes aux Directives: 2006/95/CE 2006/42/CE 2002/95/CE	
	20
	mm 430x400 x210 Kg 8.0-10.0

Specification

Working temperature - 5 deg C / +40 deg C

Series 5000 & 7000 Cable Reels have an external case manufactured from shock resistant plastic and are suitable for applications both with cable manually controlled and fitted on machines with automatic cable retraction. This range of drums features a ratchet stop every 50cm which can be easily disconnected if constant traction of cable is required. All springs have brass rings and bushes.

Series 6000 Cable Reels are similar to the above but have an external case manufactured from die cast aluminum.

Standard Options include:

- 5100- Rubber cable sleeve (conversion from XF to XL)
- 6100- Rubber cable sleeve (conversion from PRC to PRL)
- Please enquire for specials such as rubber cable & IP55 Protection

Also available is a range of roller guides.