



TECHNICAL FEATURES

- Technopolymer casing.
- Complete with pivot bracket.
- Provided with hose ratchet stop device, easily removable if constant traction is required.
- Suitable for air transmission.

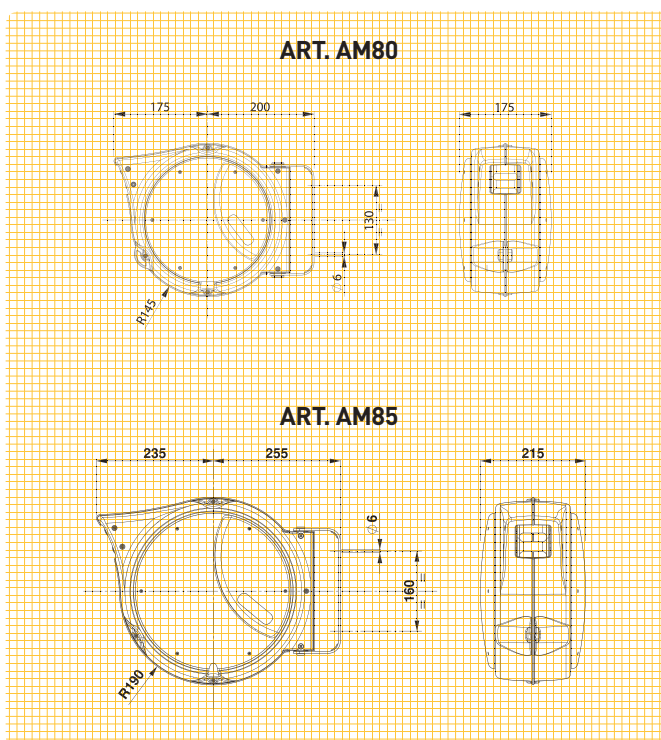
SERIE AMERICA HOSE REEL

ISO EN 12100





2006/42/CE

DIMENSIONS





ART.	AM80/8	AM85/8	AM85/10
Hose I/D. Ø	8 mm (5/16")	8 mm (5/16")	10 mm (3/8")
Hose length	10 m	16 m	16 m
Max pressure	15 bar	15 bar	15 bar
End hose fitting	1/4" M BSP	1/4" M BSP	3/8" M BSP
Temperature Range	-5°/+40° C	-5°/+40° C	
Incoming hose fitting	NO	NO	
Incoming hose	1,5 m	1,5 m	
Air	YES	YES	
Water	NO	NO	
Hose type	PU	PU	
	40	20	
	mm 390x330x230 Kg 4,5	mm 500x450x255 Kg 8,0	