

# Medium duty Industrial reels

## Battery charging reels

SIMBAL battery charging reels are available in a range of sizes and can be supplied with or without the red & black clamps.

### Features:

- Shock resistant plastic external case (series 4200)  
Die cast aluminium (on series 6200 drums)
- Galv steel (series 1400 / 1700 drums)
- Cable roller guide
- Ratchet stop every 50mm  
(easily disconnected if not required)
- IP42 Protection (IP65 available on some models)
- Working temperature -5 / +40 deg C
- 



### Possible applications

Typical fields of application for our battery charging reels include garage applications, plus many more applications across a wide range of industries.

Other reels in the range include 230V single phase & 400V 3 phase cable reels, earthing reels and many other reels for a variety of special applications. Details on all these drums can be found on our website [www.simbal.net](http://www.simbal.net). If you require further information please call our sales team on 01298 813883 or email [sales@simbal.net](mailto:sales@simbal.net).

### Optional extras

Standard options which can be fitted to SIMBAL medium duty spring operated cable drums include IP65 protection seals & fixing bolts to restrict the swivel action of fixing bracket. A range of cable roller guides is also available to compliment the full range of drums.

### Technical Data

Please see the following sheets for technical and dimensional data



Type 4216



Type 6216



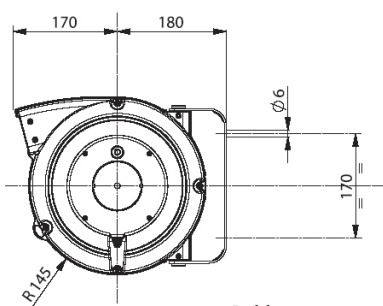
Type 1425/1426/1796

# Medium duty Industrial reels

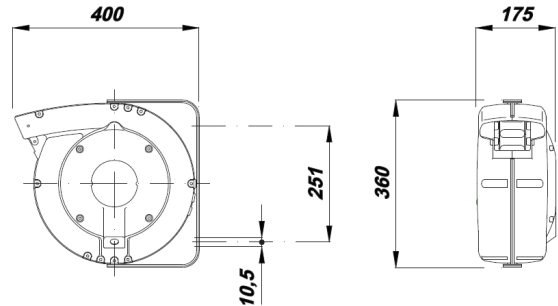
## Battery charging reels

### Technical Data

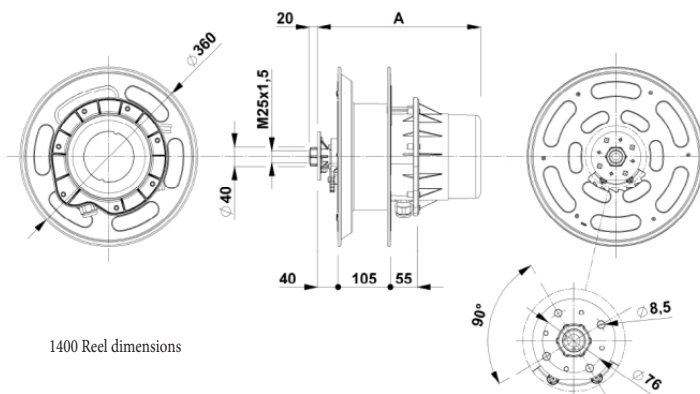
Type	Cabled cable length	Conductor section	Power	IP	Cable type
4216	6m	9mm <sup>2</sup>	30	IP 42	IGUS Chainflex
6216	9m	9mm <sup>2</sup>	30	IP 42	CF 13CF 130
1424	12m	15mm <sup>2</sup>	50	IP 65	
1425	12m	15mm <sup>2</sup>	100	IP 65	
1796	17m	15mm <sup>2</sup>	100	IP 65	



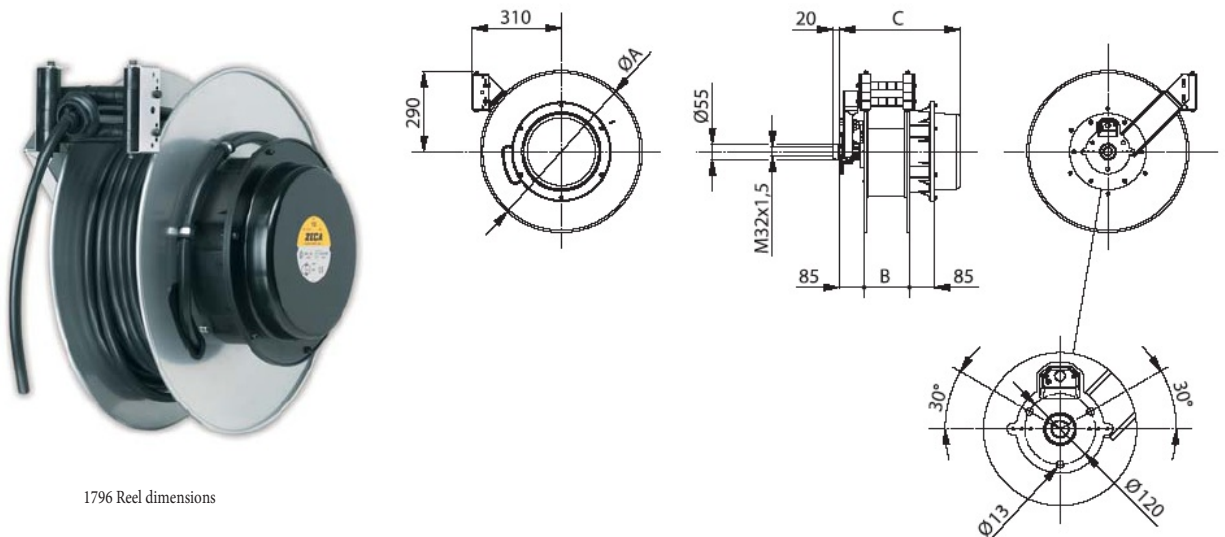
4216 Reel dimensions



6246 Reel dimensions



1400 Reel dimensions

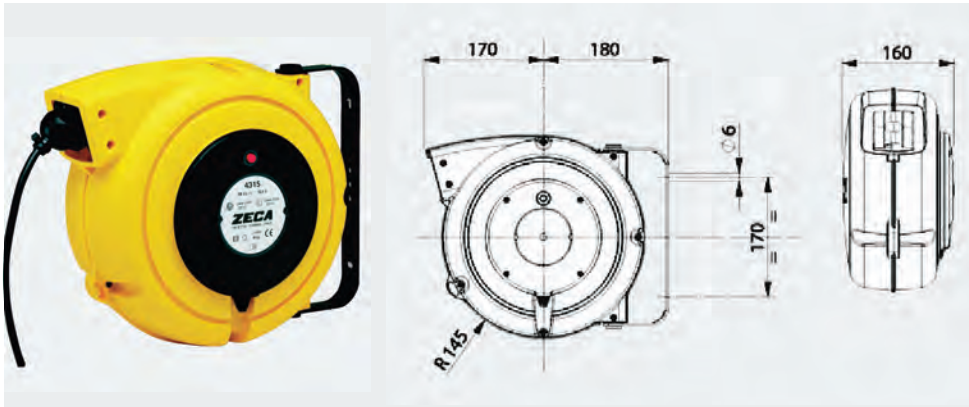





1796 Reel dimensions

# Cable Reeling Drums

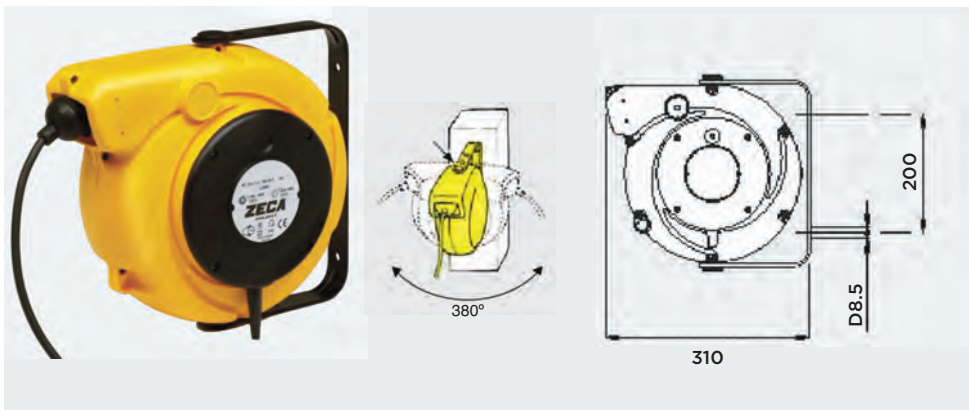
Medium duty spring operated cable reeling drums



## Series 4000



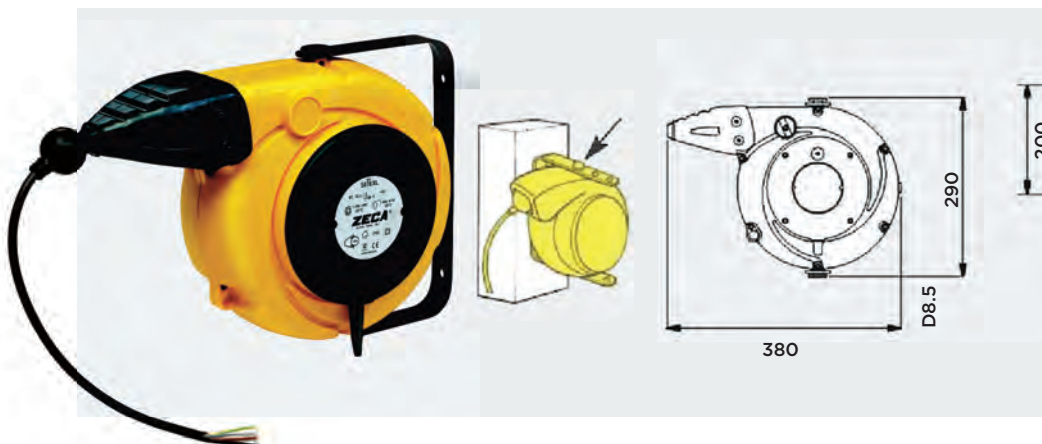
Manufactured according to standard: Construit selon norme: EN 61242 EN 60335-1	
	
These products comply with Directives: Produits conformes aux Directives: 2006/95/CE 2006/42/CE 2002/95/CE	
	44
	mm335x310 x185 Kg 5



## Series 5000/XF



	60
	mm300x 295x155 Kg 3.5

## Series 5000/XL



	60
	mm410x305 x185 Kg 4.0

We reserve the right to amend all technical details without prior notification


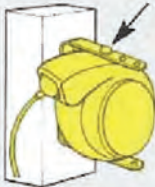
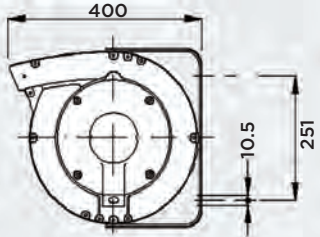
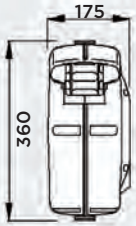








# Cable Reeling Drums

Medium duty spring operated cable reeling drums



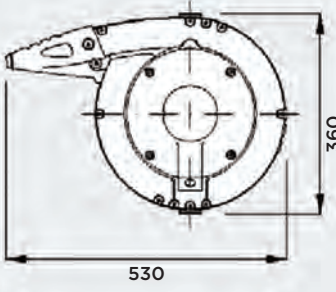
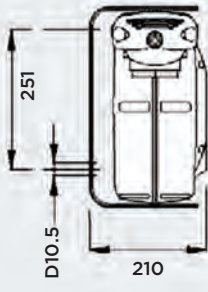
## Series 6000/PRC

1-10 CONDUCTORS	
	30
	mm 400x370 x190 Kg 13

12-16 CONDUCTORS	
	24
	mm 400x390 x290 Kg 13

## Series 6000/PRL

380°

530


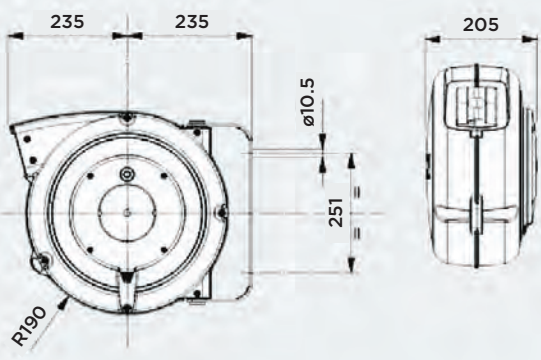
360

251

D10.5

210

## Series 7000

235

235



205

ø10.5



251

R190

Manufactured according to standard: Construit selon norme: EN 61242 EN 60335-1
--

	
---	---

These products comply with Directives: Produits conformes aux Directives: 2006/95/CE 2006/42/CE 2002/95/CE
--

	20
	mm 430x400 x210 Kg 8.0-10.0

## Specification

**Working temperature - 5 deg C / +40 deg C**

Series 5000 & 7000 Cable Reels have an external case manufactured from shock resistant plastic and are suitable for applications both with cable manually controlled and fitted on machines with automatic cable retraction. This range of drums features a ratchet stop every 50cm which can be easily disconnected if constant traction of cable is required. All springs have brass rings and bushes.

Series 6000 Cable Reels are similar to the above but have an external case manufactured from die cast aluminum.

**Standard Options include:**

- 5100- Rubber cable sleeve (conversion from XF to XL)
- 6100- Rubber cable sleeve (conversion from PRC to PRL)
- Please enquire for specials such as rubber cable & IP55 Protection

Also available is a range of roller guides.