

Medium Duty Industrial Cable Reels

Multicore Cable Reels

SIMBAL multi core industrial cable reels are the ideal solution for a wide range of standard applications. These drums come as an integral unit with pre-fitted cable and a swiveling wall mounting bracket. They are available with cable sections up to 16 core x 1.5mm² and with various payout lengths, for exact specifications please see data on the facing page.

Features:

- Shock resistant plastic external case (Die cast aluminium on series 6000 drums)
- Cable roller guide
- Ratchet stop every 50mm (easily disconnected if not required)
- Double earth contact
- Collector insulating power - 2.5Kv
- Brass sliprings & brushes
- IP42 Protection (IP65 available on some models)
- Working temperature -5 / +40 deg C
- Available with both PVC & Rubber cable



Possible applications

SIMBAL multi core cable reels are an ideal solution for a wide range of applications where it is necessary to provide control signals to either stationary or mobile equipment.

Other reels in the range include 230V Single phase reels. 400V 3 phase cable reels and a wide variety of reels for special applications such as earthing reels, battery charging and electric vehicle charging. For further information please call our sales team on 01298 813883, email sales@simbal.net or visit our website at www.simbal.net

Optional extras

Standard options which can be fitted to SIMBAL medium duty spring operated cable drums include rubber cables, IP65 protection seals & fixing bolts to restrict the swivel action of fixing bracket. A range of cable roller guides is also available to compliment the full range of drums.

Technical Data

Please see the following sheets for technical and dimensional data

Medium Duty Industrial Cable Reels

Multicore Cable Reels

Technical Data

	Cable size	Cable payout	Cable diameter	V	Max power @ 20 deg C	Slip rings	Max voltage	Cable type	Case colour
--	------------	--------------	----------------	---	----------------------	------------	-------------	------------	-------------

7 core cable

5840/XF	5870/XL	7c x 1.0mm ²	6 + 1.5m	10mm	3 Amp	10A	500V	H05VV-F	Yellow
5839/XF	5869/XL	7c x 1.5mm ²	5.5 + 1.5m	12mm	4.5 Amp	10A	500V	H05VV-F	Yellow
6065/PRC	6138/PRL	7c x 1.0mm ²	16 + 2m	10mm	3 Amp	10A	500V	H05VV-F	Silver
6069/PRC	6142/PRL	7c x 1.5mm ²	9 + 2m	12mm	4.5 Amp	10A	500V	H05VV-F	Silver

10 core cable

6095/PRC	6144/PRL	10c x 1.0mm ²	8 + 2m	13mm	3 Amp	10A	500V	H05VV-F	Silver
6619/PRC	6146/PRL	10c x 1.5mm ²	6 + 2m	15mm	4.5 Amp	10A	500V	H05VV-F	Silver

12 core cable

6591/PRC	6614/PRL	12c x 1.0mm ²	10 + 2m	14mm	3 Amp	10A	500V	H05VV-F	Silver
6593/PRC	6616/PRL	12c x 1.5mm ²	6 + 2m	16mm	4.5 Amp	10A	500V	H05VV-F	Silver

16 core cable

6096/PRC	6145/PRL	16c x 1.0mm ²	6 + 2m	15mm	3 Amp	10A	500V	H05VV-F	Silver
6595/PRC	6618/PRL	16c x 1.5mm ²	4 + 2m	18mm	4.5 Amp	10A	500V	H05VV-F	Silver



Medium Duty Industrial Cable Reels

Multicore Cable Reels

Series 5000/XF

	60
	mm300x 295x155 Kg 3.5

Series 5000/XL

	60
	mm410x305 x185 Kg 4.0

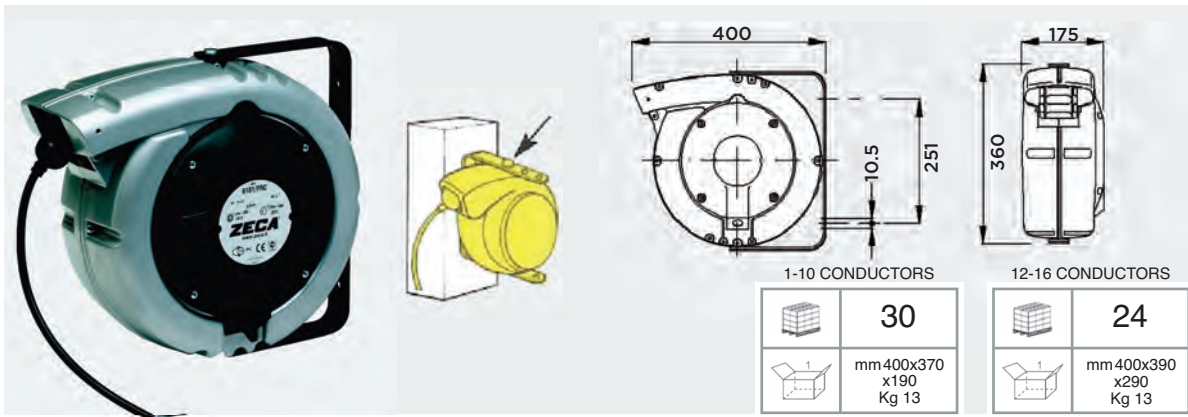
We reserve the right to amend all technical details without prior notification



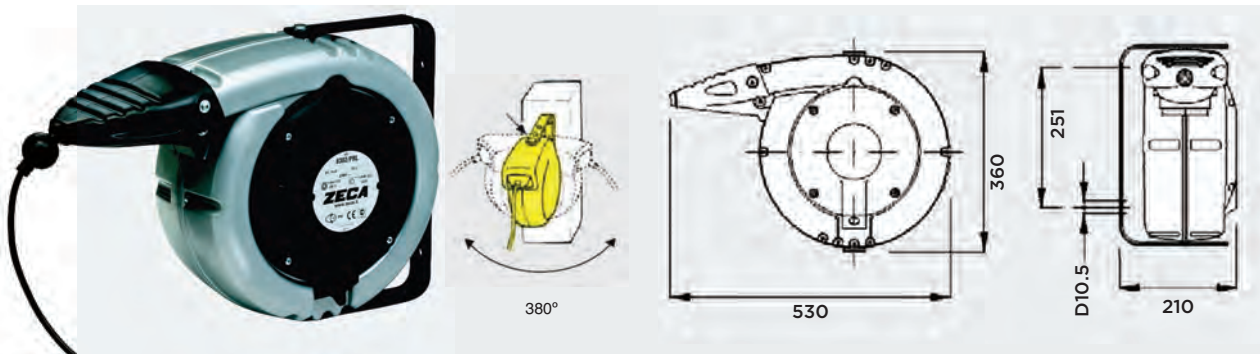
Medium Duty Industrial Cable Reels

Multicore Cable Reels

Series 6000/PRC



Series 6000/PRL



Specification

Working temperature -5 deg C / +40 deg C

Series 5000 Cable Reels have an external case manufactured from shock resistant plastic and are suitable for applications both with cable manually controlled and fitted on machines with automatic cable retraction. This range of drums features a ratchet stop every 50cm which can be easily disconnected if constant traction of cable is required. All springs have brass rings and bushes.

Series 6000 Cable Reels are similar to the above but have an external case manufactured from die cast aluminum.

Standard Options include:

- 5100- Rubber cable sleeve (conversion from XF to XL)
- 6100- Rubber cable sleeve (conversion from PRC to PRL)
- Please enquire for specials such as rubber cable & IP55 Protection

Also available is a range of roller guides.