

Medium Duty Industrial Cable Reels

Signal Transmission Reels

SIMBAL Signal transmission cable reels are the ideal solution for a wide range of mobile applications such as robots, medical equipment and many others. These drums come as an integral unit with pre-fitted cable and a swiveling wall mounting bracket. T

Features:

- Shock resistant plastic external case on type 47 drums and Die cast aluminium on types 67 & AL41 drums.
- Cable roller guide
- Ratchet stop every 50mm (easily disconnected if not required)
- Gold alloy sliprings & brushes
- IP42 Protection (IP65 available on some models)
- Working temperature -5 / +40 deg C



Possible applications

Typical applications for SIMBAL Signal transmission reels include :

Robots and down-hole inspection equipment

Manufacturing and process control equipment

Medical equipment

Packaging machines

Ethernet network (CAT 5E mod. also suitable for Gigabit networks)

Bus for automation (specific cables available on request)

Technical Features

SLIPRING TECHNICAL FEATURES

6/12/24 contacts, max capacity 2A, max 48V

Gold alloy rings and brushes

High reliability and duration

Low friction torque.

Dielectric strength: 500 Vca a 60 Hz

Insulation resistance: > 1000 M Ω / 500 Vcc

Noise: < 100 m μ a 6 Vcc and 50 mA (at 5 rpm)

CABLE TECHNICAL FEATURES

Outer jacket - PUR/TPE highly flexible, abrasion/oil/ coolers - resistant

Silicon-free

Halogen-free (following EN 50267-2-1)

Lead-free (following 2011/65/EU ROHS-II)

Cores combined in bundles and stranded together around a centre for high tensile stresses with adapted, short pitch lengths and pitch directions, special low-torsion structure.


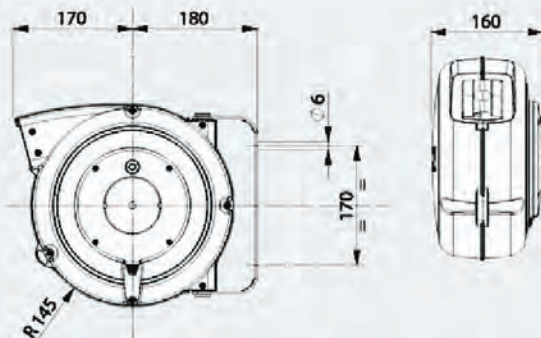
Technical Data





Please see the following sheet for technical and dimensional data

Medium Duty Industrial Cable Reels


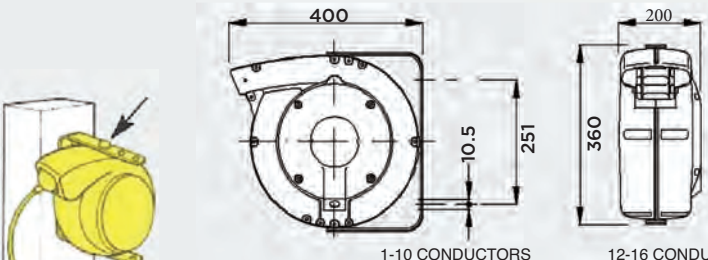
Multicore Cable Reels



Type 47






Manufactured according to standard: Construit selon norme: EN 61242 EN 60335-1	
 	
These products comply with Directives: Produits conformes aux Directives: 2006/95/CE 2006/42/CE 2002/95/CE	
	44
	mm335x310 x185 Kg 5


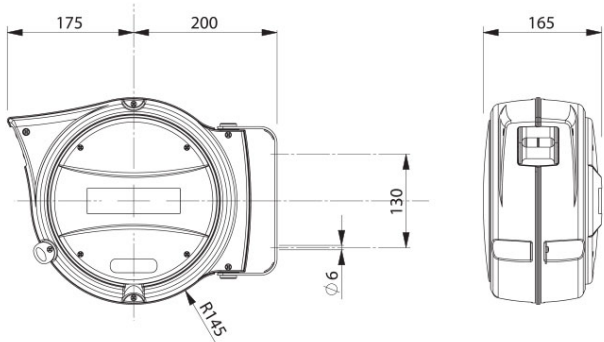
Type 67

1-10 CONDUCTORS	
	30
	mm400x370 x190 Kg 13

12-16 CONDUCTORS	
	24
	mm400x390 x290 Kg 13

Type AL

Other reels in the range include 230V Single phase reels, 400V 3 phase reels. Multi-core cable reels and a wide variety of reels for special applications such as earthing reels, battery charging and electric vehicle charging. For further information please call our sales team on 01298 813883, email sales@simbal.net or visit our website at www.simbal.net