

C-Rail Festoon track systems

Cable & Hose carrying systems



Application

C-Rail festoon track systems are the ideal solution for carrying cables supplying power to many types of moving machinery using either flat or round cables, typical uses include power feeds to hoists, factory cranes and pendant control systems. They can also be used to carry hoses for air, water, etc. A complete range of standard fittings is available for these systems along with a comprehensive selection of trolleys with carrying capacities up to 40kg / trolley. Standard track and components are manufactured from zinc plated steel and are suitable for the majority of industrial applications, where extra protection is required most components can be supplied with a polyester / epoxy coating and for extreme applications Stainless Steel track and components are also available. C-Rail festoon systems are also available for Ex rated Hazardous areas classified in Group 1 & 2 (Gas) & Group 21 & 22 (Dust) – details of these systems are shown later on in this section.

System Calculations (see drawing opposite)

System (Track size) selection

System 2331 – max cable stack = 58mm x 20mm, max trolley load = 20kg

System 2500 – max cable stack = 115mm x 50mm, max trolley load = 40kg

Cable Length

For correct installation the cable should never be pulled tight, we therefore recommend a 20% surplus be added to the overall track length, the calculation for cable length is shown below :

Total cable length = (overall track length x 1.2) + required tail lengths.

<i>Example</i>	Overall track length =15m
	Tail at Hoist end = 0.50m
	Tail at Feed end = 3m
	Total cable length = (15 x 1.2) + 0.5 + 3 = 21.5m

Number of Trolleys

The number of trolleys required in the system is determined by the cable loop depth, so using the information above we can calculate the number of trolleys

Required as follows :

No. of trolleys = [(overall track length x 1.2) / (2 x Loop depth)] - 1

<i>Example</i>	Overall track length =15m
	Loop depth = 0.75m
	No. of Trolleys = [(15 x 1.2) / (2 x 0.75)] - 1 = 11
	In addition you require 1 x Tow Trolley & 1 X End Anchor

Trolley selection

The correct trolleys should be selected by referring to the maximum cable stack, and maximum cable weight information shown on the trolley information on the following pages, maximum recommended cable stacks are calculated to ensure that trolley bodies will come together before the loops of cable clash or foul each other.

System SL 400 C-Rail Festoon Track Systems

49 x 44mm C-Rail Cable & Hose carrying system



Track Profile

Part Code	Standard Length	Weight kg/m	Finish
SL 400	3m / 6m		Galvanised Steel

Standard Profile Length = 3 / 6 Metres

Single Stud Support

Part Code	Finish	For use with
SL 401	Zinc Plated Steel	Galv. Steel Track

Ceiling Support

Part Code	Finish	For use with
SL 402	Zinc Plated Steel	Galv. Steel Track

Track Joint

Part Code	Finish	For use with
SL 403	Zinc Plated Steel	Galv. Steel Track

End Stop

Part Code	Finish	For use with
SL 404	Zinc Plated Steel	Galv. Steel Track

Towing Arm

Part Code	Finish
5.6/400	Zinc plated steel & aluminium RAL9006 polyester

Support Arm

Part Code	Finish	For use with
CM-4-500	Zinc Plated Steel	Galvanised Steel Track

Support arm complete for SL 400 track profile consists of:-
 2 x Beam clip 2340-12-500
 1 x Track support SL 402
 1 x 500mm length SL 400 profile

For special lengths substitute required length 'L' for '500' in the part no. e.g. for L = 750mm, part no = CM-4-750

Beam Clip

Part Code	Finish	For use with
2340-12-500	Zinc Plated Steel	Galv. Steel Track

M8 x 50mm Hex. Head Bolt DIN931

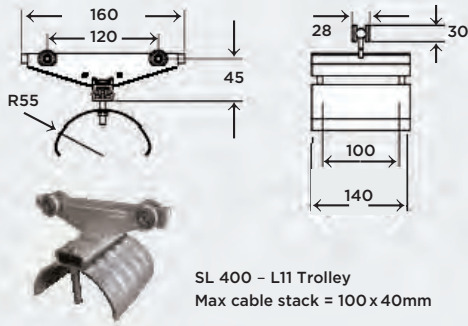
For use with support arms from 2500-1 track profile (see part no. CM-3)

System SL 400

49 x 44mm C-Rail Cable & Hose carrying system

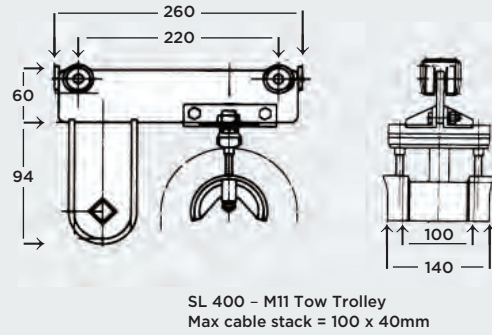
Cable Trolley

Part Code	Body	Wheels & Axles	Cable Clip	For use with
SL 400 - L11	Zinc Plated Steel	Zinc Plated Steel	Galvanised Steel	Galv. Steel Track



Tow Trolley

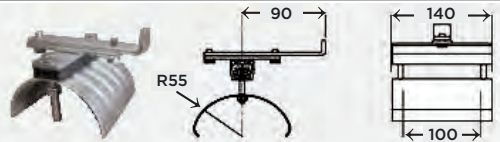
Part Code	Body	Wheels & Axles	Cable Clip	For use with
SL 400 - M11	Zinc Plated Steel	Zinc Plated Steel	Galvanised Steel	Galv. Steel Track



Cable End Anchor

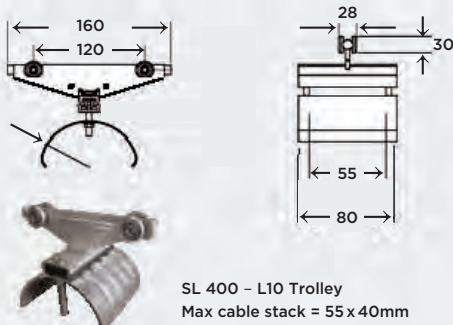
Part Code	Body	Wheels & Axles	Cable Clip	For use with
SL 400 - K11	Zinc Plated Steel	Zinc Plated Steel	Galvanised Steel	Galv. Steel Track

SL 400 - K11 Anchor Max cable stack = 100 x 40mm



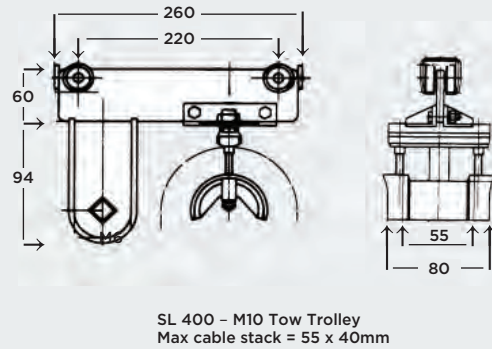
Cable Trolley

Part Code	Body	Wheels & Axles	Cable Clip	For use with
SL 400 - L10	Zinc Plated Steel	Zinc Plated Steel	Galvanised Steel	Galv. Steel Track



Tow Trolley

Part Code	Body	Wheels & Axles	Cable Clip	For use with
SL 400 - M10	Zinc Plated Steel	Zinc Plated Steel	Galvanised Steel	Galv. Steel Track



Cable End Anchor

Part Code	Body	Wheels & Axles	Cable Clip	For use with
SL 400 - K10	Zinc Plated Steel	Zinc Plated Steel	Galvanised Steel	Galv. Steel Track

SL 400 - K10 Anchor Max cable stack = 55 x 40mm

