

Hose Reeling Drums

Type 8800 Hose Reels

Type 8800 Hose Reels

Technical Features:

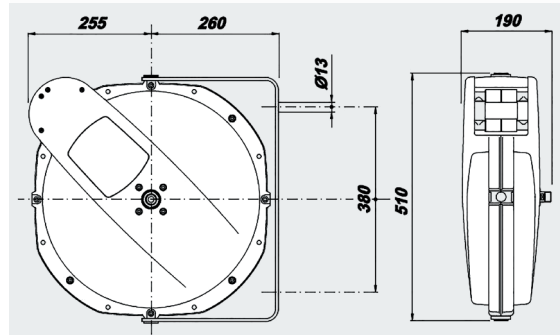
- Casing made of die-cast aluminium with painted finish
- Hose ratchet stop device at desired length, easily removable if constant traction is required
- Brass / stainless steel rotating joint



Technical Data

	Type 8803	Type 8804
Hose I/D. Ø	10mm (3/8")	12mm (1/2")
Hose length	21 m	16 m
Max pressure	20 bar	20 bar
End hose fitting	1/2" M BSP	1/2" M BSP
Temperature	-5°C / +50°C	
Incoming hose fitting	1/2" M	
Incoming hose	No	
Air	Yes	
Oil	No	
Water	Yes	
Water hp	No	
Hose type	KPU	
	8	
	mm 565x515x295 Kg 20.0	

Dimensions



ISO EN 12100



2006 / 42 / CE